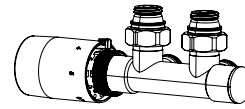
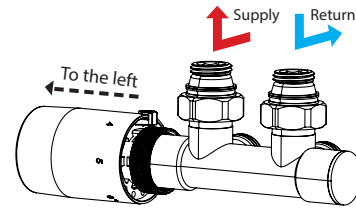


Thermostatic valves type H - angle - Installation and operation instructions -

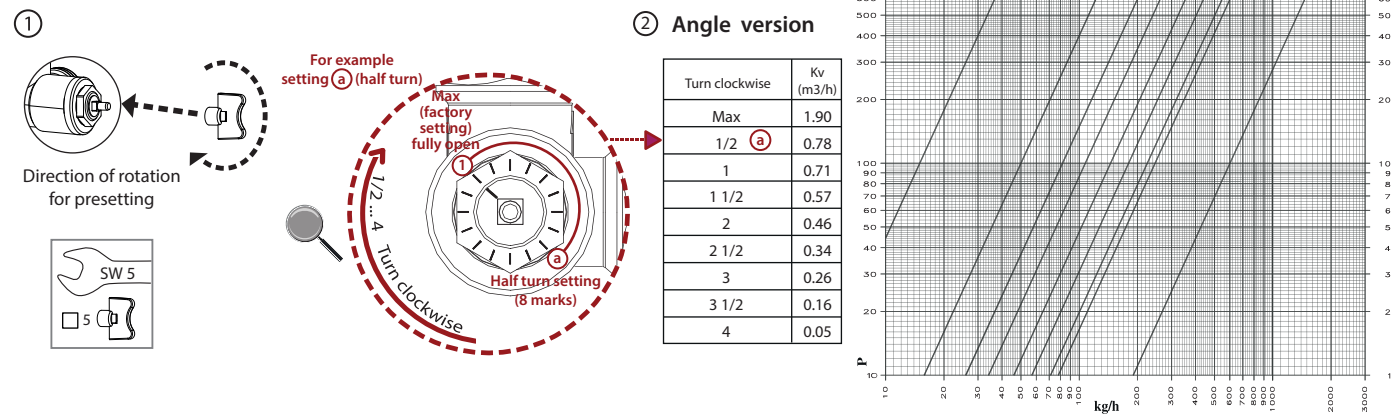


The thermostatic insert is the insert that can be found under the blue cap. The open-close insert is on the opposite side.
For this type of valve, the position of the Thermostatic head and insert, as well as the position of the open-close insert can be switched from left to right, respectively right to left.
From the factory, the thermostatic insert is mounted on the valve to the left.
For the correct operation of the valve:
- the supply pipe must be the one on the side of the thermostatic valve
- in case that the position of the thermostatic insert/head have to change from left to right, please adapt the position of the supply/return pipes accordingly
- The thermostatic head should never stand above the valve.



Presetting of thermostatic valve

The valve can be preset with a common air-vent key (5 mm) by turning the adjusting screw.
When delivered, the valve is adjusted to maximum flow rate (Max) – see ①
For presetting, please turn the adjusting screw clockwise (toward closing position) starting from Max. – see ①
Use half turns to set the flow rate following the tables and diagrams presented below. – see ②



Max. differential pressure = 0,04 - 0,2 bar (4 - 20 kPa, recommended 10 kPa) | Max. pressure = 10bar | Max. Temp. = 120°C

Mounting of thermostatic head

For mounting the thermostatic head on the valve, please turn the head on position MAX (completely open). Then screw the head with the nut onto the valve.

OPTIONAL: Temperature limiting of the thermostatic head

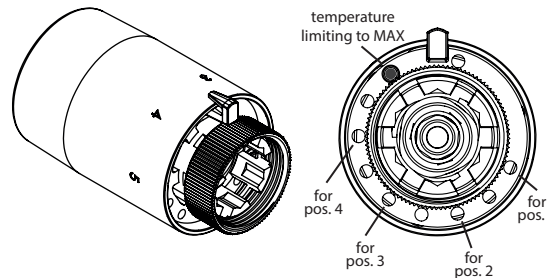
The thermostatic heads can be delivered with a temperature limiting pin inserted in the rear side of the head, into the hole corresponding to pos. 5 (temperature limitation to MAX - by default)

Procedure for limiting the maximum temperature:

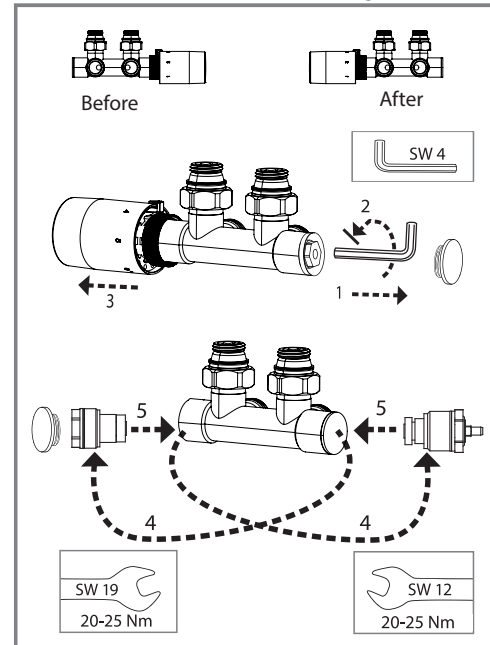
Accessories to be supplied: 1 pin mounted by default at pos. MAX (corresponding to pos. 5)

Procedure:

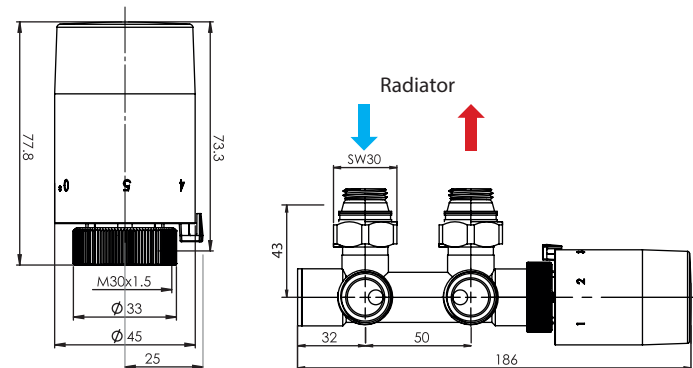
- Extract the pin from its pos. MAX
- Turn the head to the position * - antifreeze
- Insert the pin into one of the rear holes, corresponding to the desired limiting position (see figure in the right)



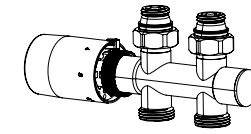
How to switch from left to right:



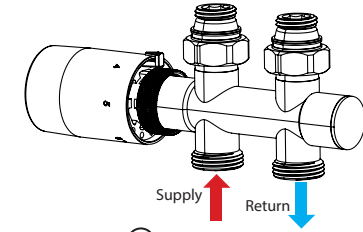
Overall sizes



Thermostatic valves type H - straight - Installation and operation instructions -

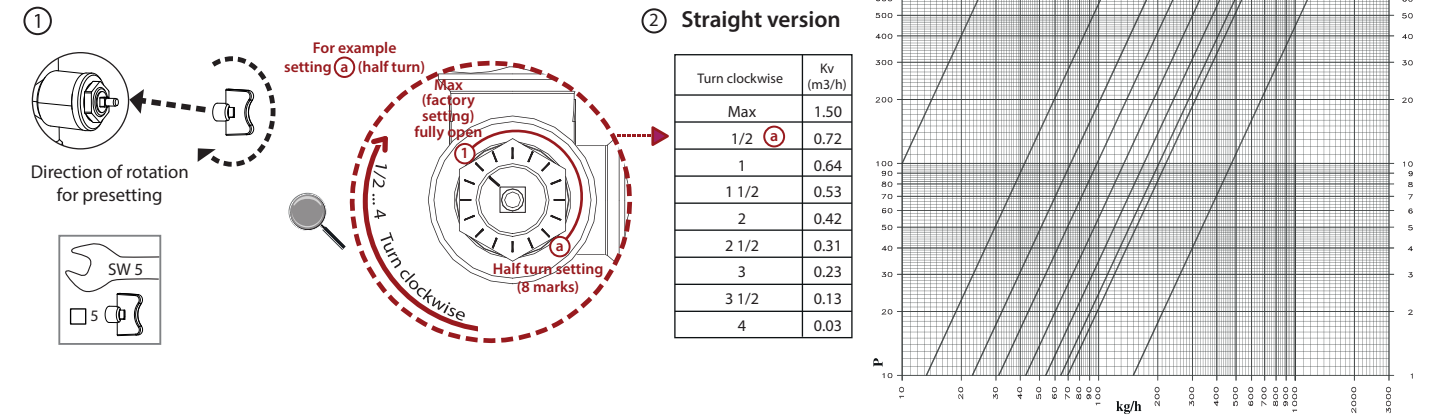


The thermostatic insert is the insert that can be found under the blue cap. The open-close insert is on the opposite side.
For this type of valve, the position of the Thermostatic head and insert, as well as the position of the open-close insert can be switched from left to right, respectively right to left.
From the factory, the thermostatic insert is mounted on the valve to the left.
For the correct operation of the valve:
- the supply pipe must be the one on the side of the thermostatic valve
- in case that the position of the thermostatic insert/head have to change from left to right, please adapt the position of the supply/return pipes accordingly
- The thermostatic head should never stand above the valve.



Presetting of thermostatic valve

The valve can be preset with a common air-vent key (5 mm) by turning the adjusting screw.
When delivered, the valve is adjusted to maximum flow rate (Max) – see ①
For presetting, please turn the adjusting screw clockwise (toward closing position) starting from Max. – see ①
Use half turns to set the flow rate following the tables and diagrams presented below. – see ②



Max. differential pressure = 0,04 - 0,2 bar (4 - 20 kPa, recommended 10 kPa) | Max. pressure = 10bar | Max. Temp. = 120°C

Mounting of thermostatic head

For mounting the thermostatic head on the valve, please turn the head on position MAX (completely open). Then screw the head with the nut onto the valve.

OPTIONAL: Temperature limiting of the thermostatic head

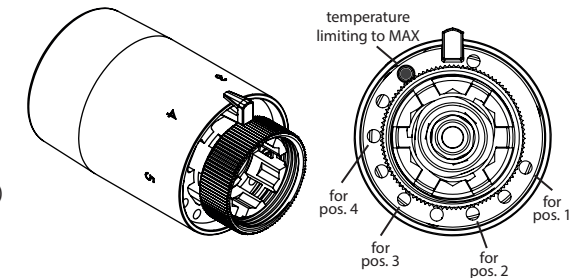
The thermostatic heads can be delivered with a temperature limiting pin inserted in the rear side of the head, into the hole corresponding to pos. 5 (temperature limitation to MAX - by default)

Procedure for limiting the maximum temperature:

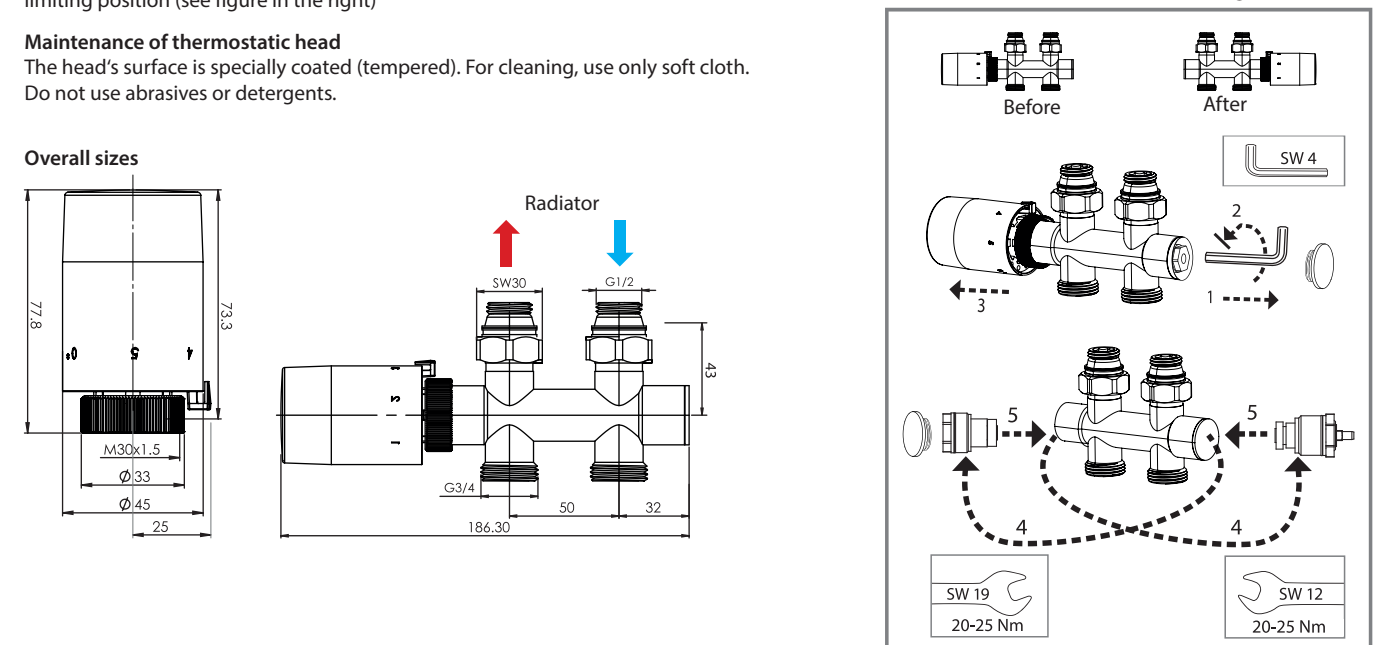
Accessories to be supplied: 1 pin mounted by default at pos. MAX (corresponding to pos. 5)

Procedure:

- Extract the pin from its pos. MAX
- Turn the head to the position * - antifreeze
- Insert the pin into one of the rear holes, corresponding to the desired limiting position (see figure in the right)



How to switch from left to right:



Overall sizes

