

## Manual wheel ENH/NHK/NHN/SNH nickel-plated



- Manual adjustment
- Dimension: M28x1,5
- For tap water system add a spacer

## Description *ENH/NHK/NHN/SNH*

### Area of use

The handwheel ENH, NHK, NHN and SNH nickel-plated is used to manually regulate valves in heating and cooling systems.

### Description

The ENH, NHK, NHN and SNH nickel-plated is used to manually regulate flow in valves.

It can also be used to shut off a flow.

Valves used in a tap water system should not be closed due to legionella bacteria.

To avoid this, supplement a spacer that is placed between the valve and the manual wheel.

ENH is in white plastic.

NHN is nickel plated, and is regulated with a Allen key (5mm), to avoid tampering.

NHK is polished and cromed. NHK is also sold together with the valve RFA 75-400.

SNH is nickel plated and is for example used in old buildings where you want to preserve the old style.



# Description *ENH/NHK/NHN/SNH*

## Technical data

**Max ambient temperature**

80°C

**Min ambient temperature**

0°C

**Material**

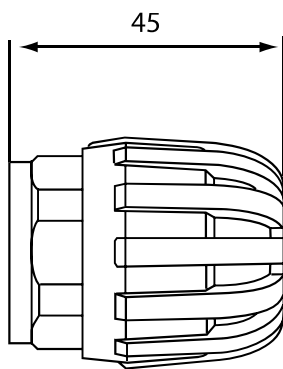
Brass, Polyamide

Gasket EPDM, Polycarbonate

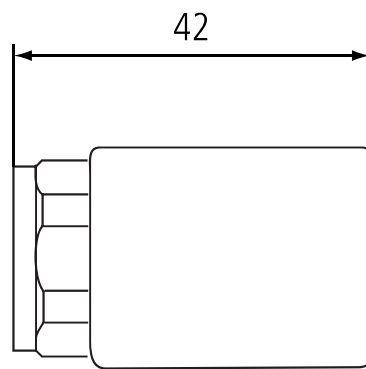
**Weight**

ENH 39g, NHK 172g, NHN 75g, SNH 222g

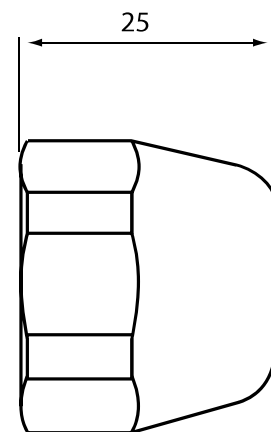
## Dimensions



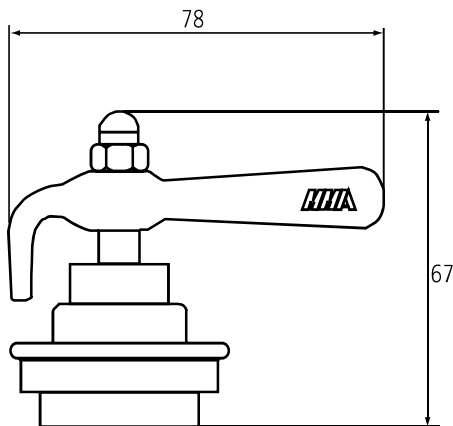
ENH



NHK



NHN



SNH

## Description *ENH/NHK/NHN/SNH*

### Ordering codes

Article number	Designation	Description
FD0T8000000EHNSE0	ENH	Manual wheel
FDCL9000300X00SE0	NHK	Manual wheel chromed
FD0T8000000NHNSE0	NHN	Manual wheel regulated with 5mm key
	SNH nickel-plated	Manual wheel
4703210	Spacer 26,0x1,0	Legionella spacer for ENH+FVR azf
4703204	Spacer 26,0x1,5	Spacer for REKV, EDVH

