

Radiator connections



- Tail piece bend
- Tail piece straight
- Older radiator connections
- Pressure class: PN 16
- Temperature range: 5°C - 100°C

Description *Radiator connections*

Area of use

Connections for connecting a valve with a radiator or cooling device.

Description

Tail piece bend and tail piece straight is available in DN10-DN25.

Radiator connection MAH 1/2" and MAB1/2" has selfsealing connection to the radiator

Older radiator connections is available in 3/8", 1/2" and 3/4".

Technical data

Pressure class

PN16

Max temperature

100°C

Min temperature

5°C

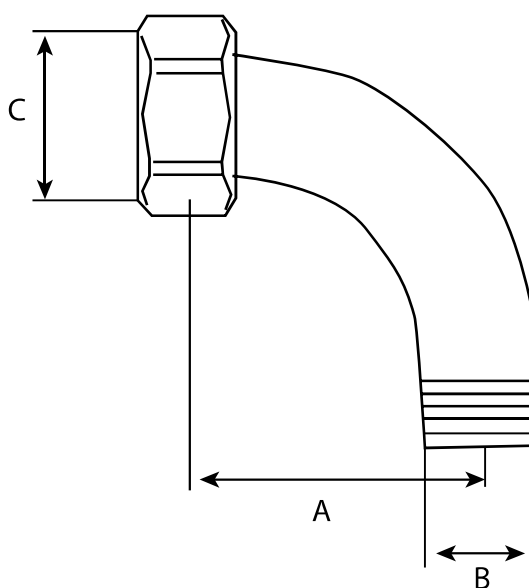
Material

Brass

O- rings EPDM

Dimensions

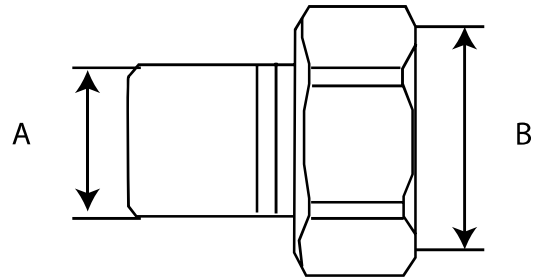
	A	B	C
N10B	46	3/8"	M22x1,5
N15B	50	1/2"	M26x1,5
N20B	56	3/4"	M34x1,5
N25B	62	1"	M40x2



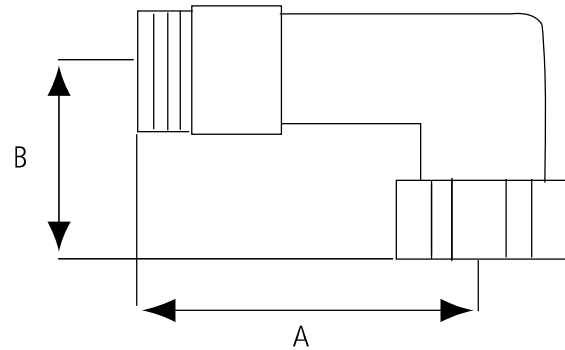
Information *Radiator connections*

Dimensions

	A	B
N10R	3/8"	M22x1,5
N15R	1/2"	M26x1,5
N20R	3/4"	M34x1,5
N25R	1"	M40x2
MAH 1/2"	1/2"	M22x1,5
MAB 1/2"	1/2"	M26x1,5



	A	B
ROT 3/8"	35	25
ROT 1/2"	42	27
ROT 3/4"	45	35



Ordering codes

Art.nr.	Designation	Description
FD8C40010NBX00SE0	N10B	Tail piece bend DN10
FD8C40015NBX00SE0	N15B	Tail piece bend DN 15
FD8C40020NBX00SE0	N20B	Tail piece bend DN 20
FD8C40025NBX00SE0	N25B	Tail piece bend DN 25
FD8C40010NTX00SE0	N10R	Tail piece straight DN 10
FD8C40015NTX00SE0	N15R	Tail piece straight DN 15
FD8C40020NTX00SE0	N20R	Tail piece straight DN 20
FD8C40025NTX00SE0	N25R	Tail piece straight DN 25
FD8C4001500G22SE0	MAH 1/2"	Radiator connection M22/G1/2"
FD8C4001500G26SE0	MAB 1/2"	Radiator connections M26/G1/2"
FD8C40010ABX00SE0	ROT 3/8"	Angle M22/3/8"
FD8C40015ABX00SE0	ROT 1/2"	Angle M26/1/2"
FD8C40020ABX00SE0	ROT 3/4"	Angle M34/3/4"

We reserve the right to alter information without notice