

Evotemp F



- Effective
- Integrated insert
- Connection G 3/4"
- Temperature range: 25-50°C
- Pressure class: PN16
- Temperature: Max 90°C

Description *Evotemp F*

Area of use

Thermostatic balancing valve Evotemp F is used as a temperature control valve in district heat exchangers

Description

The Evotemp F has an integrated insert that senses the temperature of the water passing through the valve.

Depending on the setting (25-50°C), the valve closes when the water has reached the set temperature.

Evotemp F valve is connected with G3/4".

NOTE! The pump must withstand that the hot water circulation valve EvoTemp closes completely for periods.

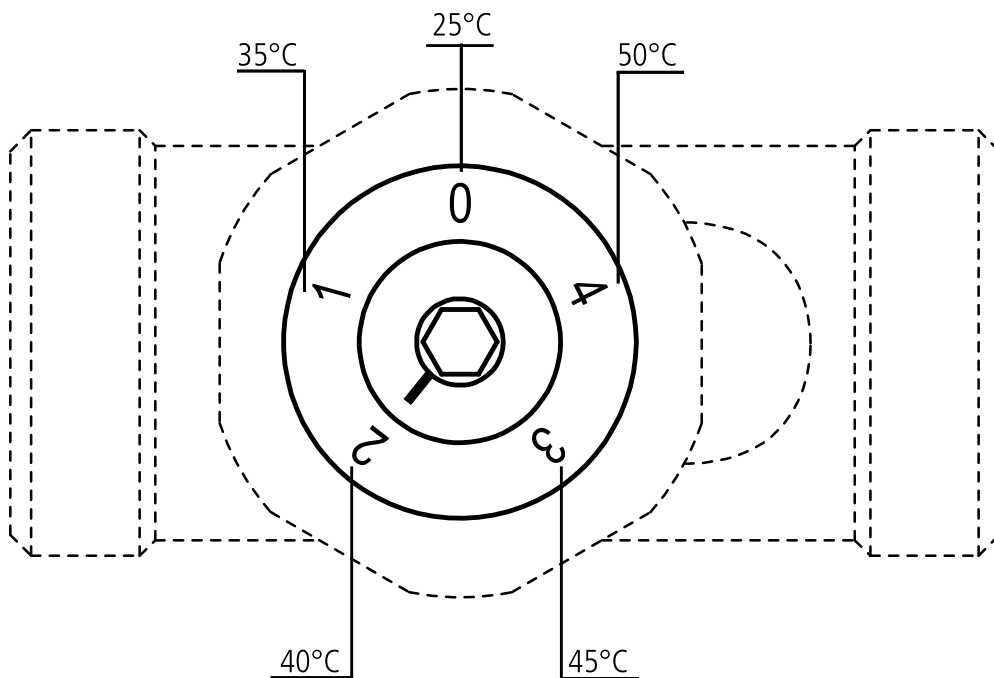


Description *Evotemp F*

Pre-setting

The setting of the closing temperature is done with an allen key 4 mm.

Factory setting at 2 (40 °)



Technical data *Evotemp F*

Material

Low lead brass, EPDM

Stainless steel, PTFE

Max Temperature

90°C

Temperature range

25°C-50°C

Pressure class

PN 16

Max short time temperature

120°C

Max pressure drop/closing pressure

6 bar

Connection

External ISO-G 3/4" max dimension 18 mm

Weight

358g

Ordering codes

Article number	Designation	Description
FIEH3002000F00SE0	Evotemp F	Exkl.couplings, ISO-G 3/4" external thread

We reserve the right to change the products without prior notice