

VMWC- Thermoelectric actuator



- Low energy consumption
- Easy to install
- CE approved
- Protection class IP64

Description VMWC

Area of use

The actuator VMWC is an on/off NC actuator.

The actuator is used for MMA's thermostatic valves and underfloor heating distributor and is regulated with room thermostat R41.

Description

The actuator's characteristic is "on/off".

In the event of a power failure, the actuator closes.

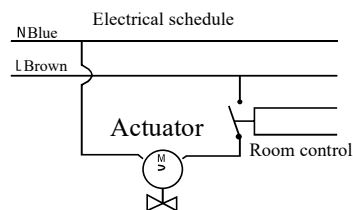
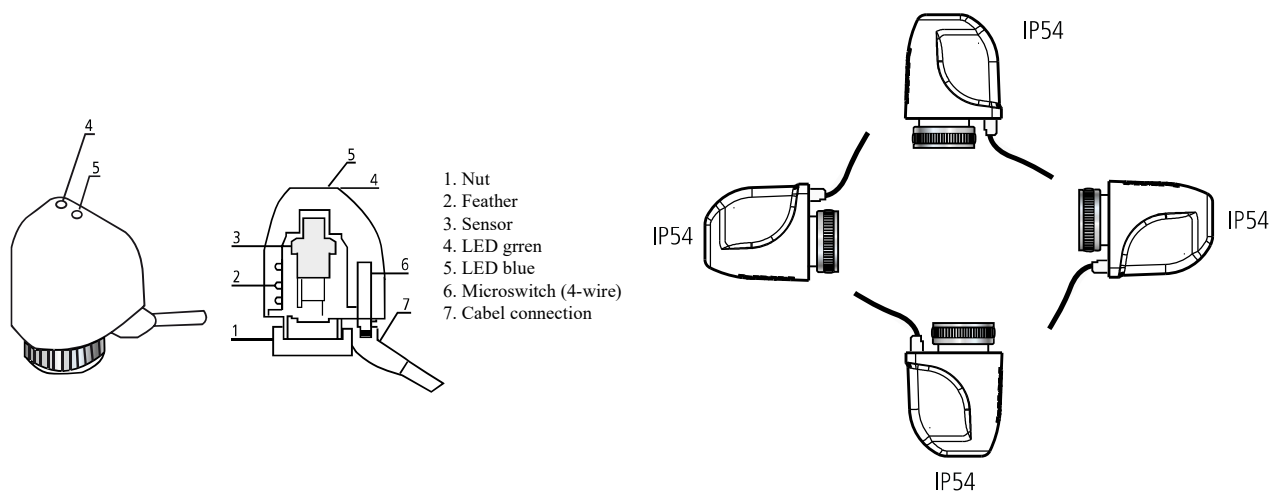
The actuator is equipped with LED operating mode indication.

Green LED voltage is on

Blue LED valve is open

LED is hidden under the enclosure.

The actuator is connected with the supplied modular cable which is attached to the underside of the actuator.



Technical data *VMWC*

Power consumption

230V - 1,8 W 24V - 1,6 W

Start current

0,35 A

Time closing/opening

230 V ca 3 min

24 V ca 5 min

Stroke

3,5 mm

Actuating force max

110N \pm 10%

Ambient temperature

0-50°C

Protection class

IP64 enl. EN60529 enclosure class

Rules characteristics

On/Off

Material

Polyamid, brass

Cable

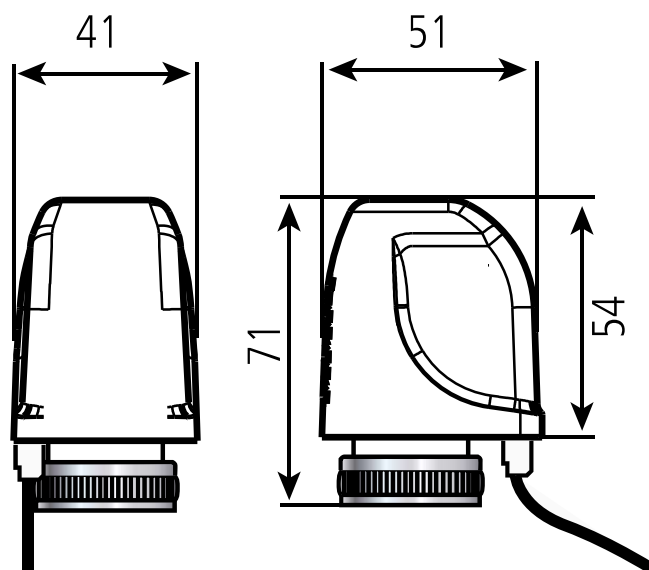
80 cm 2 x 0,5 mm²,

Colour

RAL 9016

Weight

140 g



Description *VMWC*



Ordering codes

Article number	Designation	Description
FDAA10M28WC230SE0	VMWC 230V	NC M28*1,5, 80 cm cabel
FDAA10M28WC024SE0	VMWC 24V	NC M28*1,5, 80 cm cabel