

## VAF- Thermoelectric actuator for TOV



- ON/OFF
- Easy to install
- CE approved
- Protection class IP54

# Description *VAF*

## Area of use

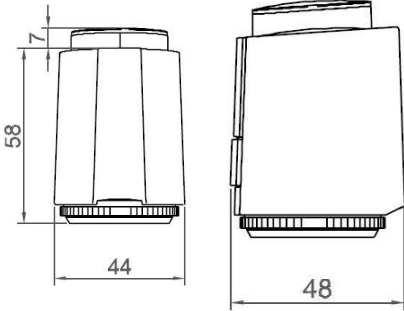
The actuator VAF is used for the dynamic control valve TOV in heating and cooling systems.  
 The actuator has M30x1.5 thread,  
 The actuator can be mounted without tools.  
 Suitable for places where there are cramped spaces.

## Description

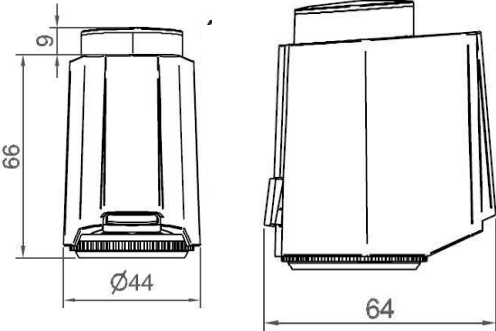
The actuators have an on/off function.  
 The actuators can be used with PWM control as well.  
 The actuators are intended for TOV valves with M30 connection and stroke of 2.5 or 5.5 mm

## Dimensions

480 87 55  
 480 87 56



480 87 57  
 480 87 58



# Technical data *VAF*



## **Power consumption**

1-2 W

## **Stroke**

2,5 -5,0 - 5,5 mm

## **Frequency**

50/60 Hz or DC

## **Control signal**

ON/OFF

## **Setting time:**

180s

## **Storage temperature**

0°C - +60°C

## **Ambient temperature**

0-60°C

## **Protection class**

IP54 enl. EN60529 kapslingsklass

## **Rules characteristics**

On/Off

## **Material**

Polymid, brass

## **Cable**

1 meter

## **Weight**

100 g

# Description *VAF*



## Ordering codes

RSK - number	Article number	Designation	Description
480 87 55	FDCL9005800X00SE0	VAF 24 V	M30x1,5 2,5mm On/off
480 87 56	FD9D9000500X00SE0	VAF 230 V	M30x1,5 2,5mm On/off
480 87 57	FDCL9005900X00SE0	VAF 24 V	M30x1,5 5,-5,5mm On/off
480 87 58	FDCL9006000X00SE0	VAF 230 V	M30x1,5 5-5,5 mm On/off