

## Room thermostat R44



- Versatile
- Operating modes for day and night
- Regulation area: 0-10 V
- Protection class: IP20

# Description *R44*

## Area of use

Room thermostat R44 is a versatile room thermostat and can regulate temperature in individual rooms and for control applications with regard to variable air volume (VAV).

The RS-485 connection allows you to connect the controller to all systems that support Modbus RTU protocol. The bus unit is galvanically isolated from the controller's other electronics.

## Description

The R44 supports 0 ... 10 V regulating actuators and / or thermal actuators and 0 ... 10 V regulated dampers. It is possible to directly control the fan convector's fan speed with one 0 ... 10 V output if the fan coil has an EC motor.

A 0 ... 10 V output has been reserved for variable air volume control.

The temperature is detected with an internal or external NTC10 sensor (the terminals are included).

The R44 has operating modes for night and day.

The operating modes are regulated by means of an external card switch, PIR presence detector, over Modbus and from the menu.

You can temporarily activate day mode for a specific time by pressing the button "Man in the house". The temporary time can be 1 ... 480 min. After the delay, the controller returns to night mode if day mode has not been activated simultaneously via Modbus.

The R44 can be used in dry environments and mounted on the wall surface or on it standard fitted mounting box (with 60 mm spacing for the holes)



# Technical data *R44*

## Power supply

24 Vac/dc\*\*(20...28 V), < 1 VA

## Setpoint

-day mode 18...26°C, \*21°C, ±3 °C

-night mode Frost protection 8...50 °C, \*17°C

## Precision

±0,5°C

## Deadzone DZ

in daymode 0,2...3°C, \*0,2°C

in nightmode 0...10°C, \*6,0°C

## Proportional band Xp

1...32°C, \*1°C

## Integration time TN

50...5000 s, \*300s

## Output

4 x 0...10 V 2mA

2 x TRIAC-output 24 Vac 1A for thermal actuators.

## Permitted room humidity

0...85% rF (non-condensing)

## Wiring terminals

1,5mm<sup>2</sup>

## Cover

ABS-plast, IP 20

## Dimensions (b x h x d)

87 x 86 x 32 mm

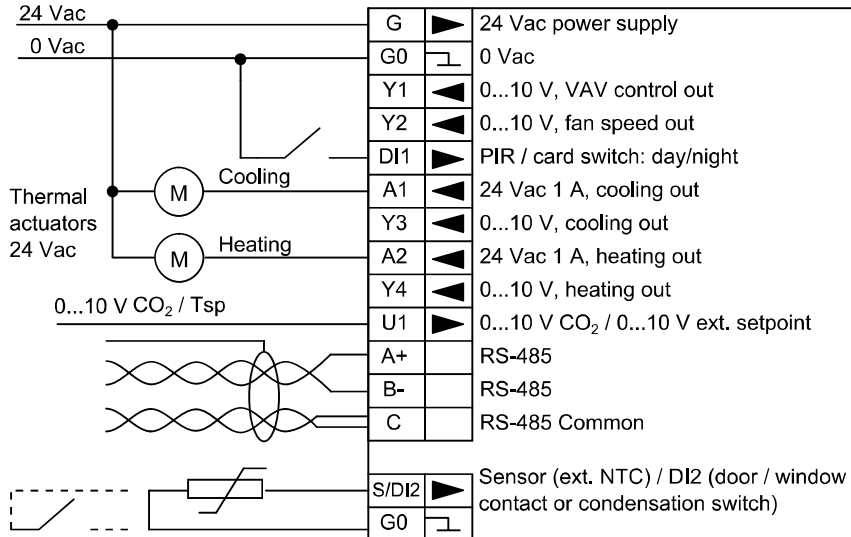
\* Factory setting

\*\* NOTE !! When using supply voltage with direct current works only the effects 0 ... 10 V.



# Product information *R44*

NOTE! The supply voltage must be the same in the room thermostat and in the connected 24 VAC actuators



The maximum TRIAC output current is 1A. We recommend that a maximum of 4 thermal actuators are connected to the same regulator output. The total power consumption must not exceed 1 A.

The TRIAC outputs are protected by fuses that only the manufacturer can replace 1 A.

NOTE! It is also possible to use unused inputs and outputs to transfer other measurement and control information through Modbus

## Ordering codes

Article number	Designation	Description
FFUA300000010SE0	R44	Room thermostat 0-10 V

We reserve the right to change the products without notice