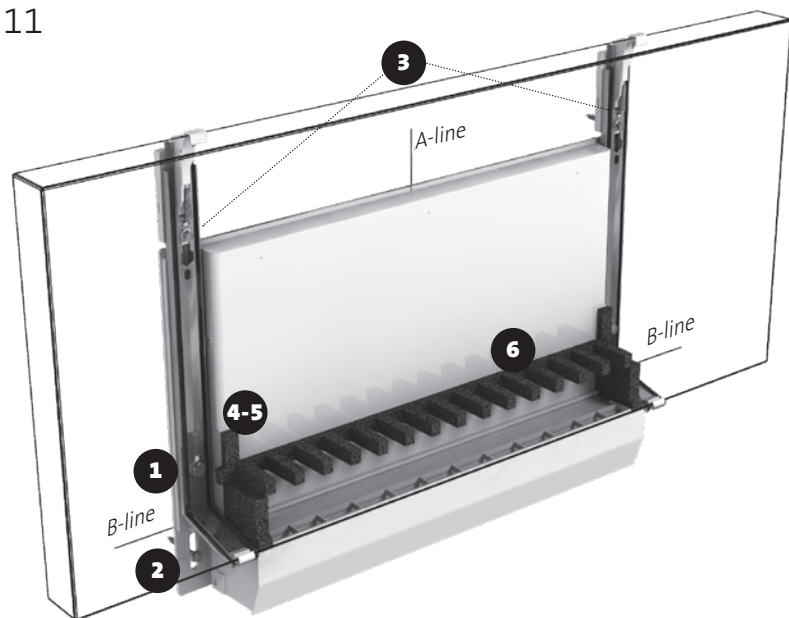


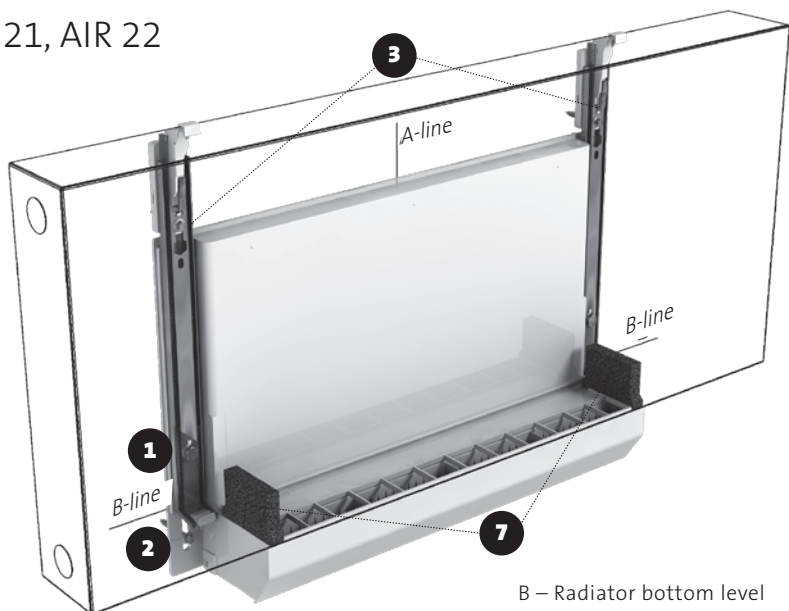
# AIR

## Instruction for installation

### AIR 11



### AIR 21, AIR 22



### Brackets

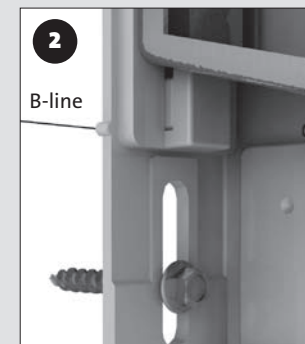
#### PURMO



#### THERMOPANEL



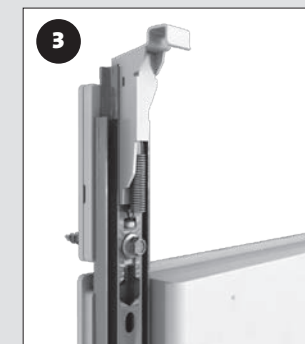
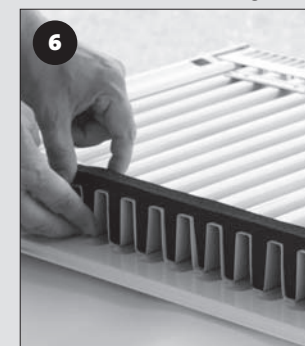
### Details



AIR 11 – Remove tape



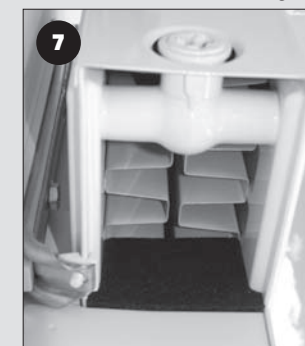
AIR 11 – Assemble camb gasket



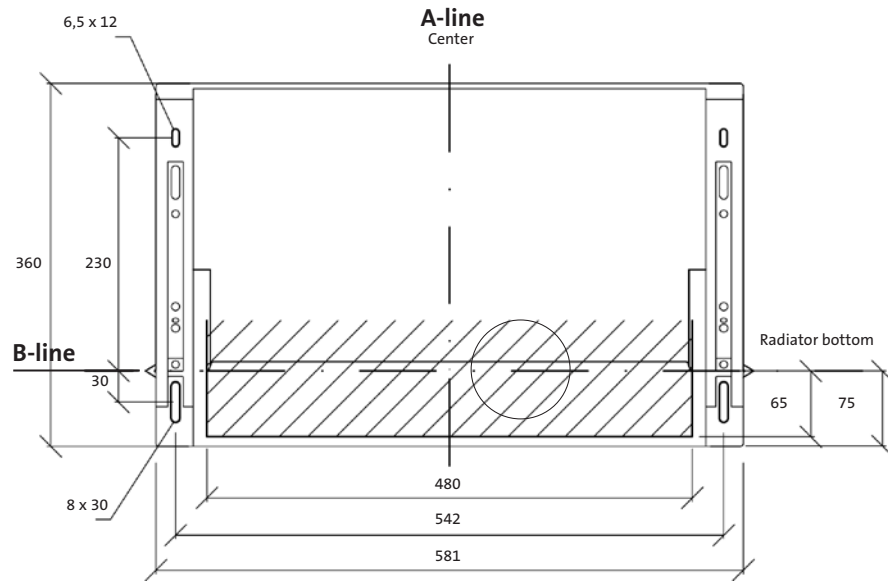
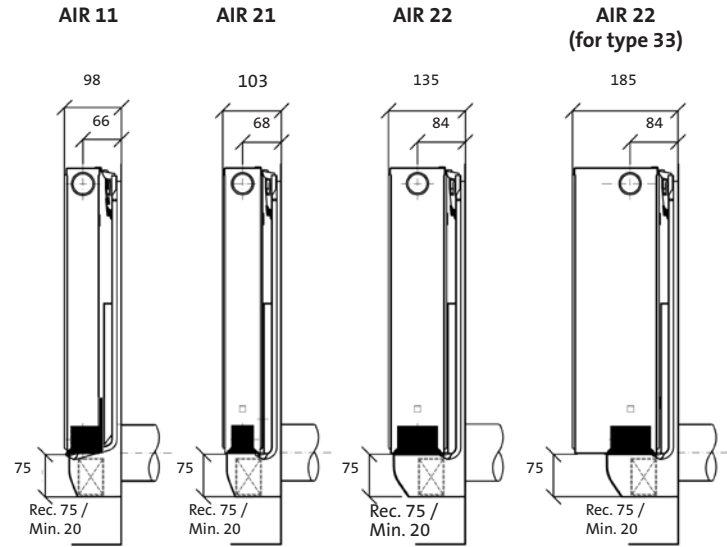
AIR 11 – Attach Air flow guides



AIR 21, 22 – Assemble Air flow guides

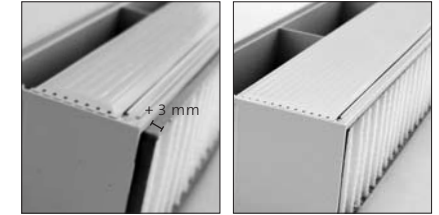


# AIR dimensions



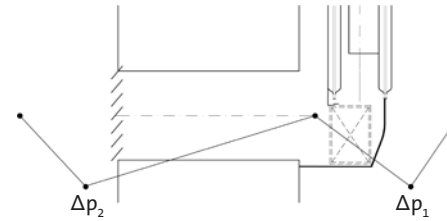
**Rettig Värme Ab**  
Jakobstad, Finland • Tel +358 6 7869 111  
www.purmo.com • www.thermopanel.se

# Filters



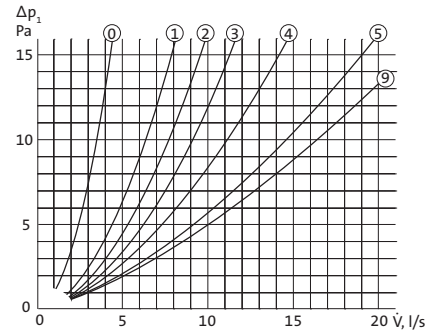
AIR 11, AIR 21      AIR 22

# Control

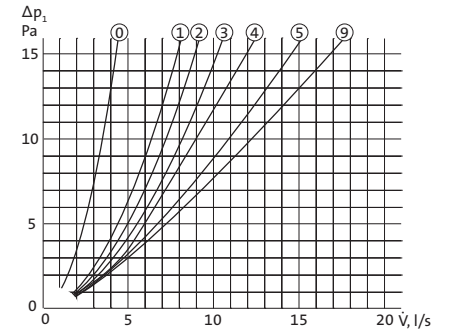


$$\Delta p = \Delta p_1 + \Delta p_2$$

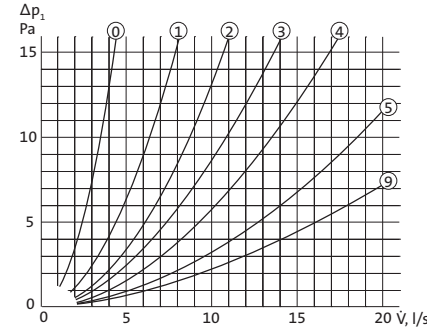
**Diagram 1: F9 filter –  $\Delta p_1$**



**Diagram 2: F7 filter –  $\Delta p_1$**



**Diagram 3: G1 filter –  $\Delta p_1$**



**Diagram 4: Wall duct –  $\Delta p_2$**

