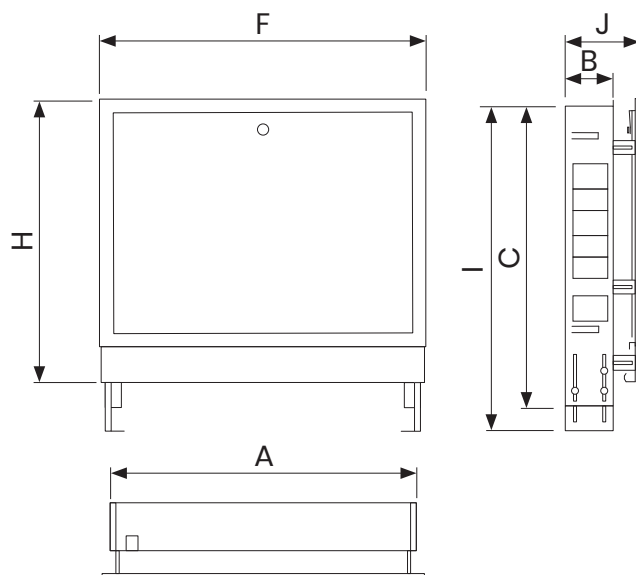
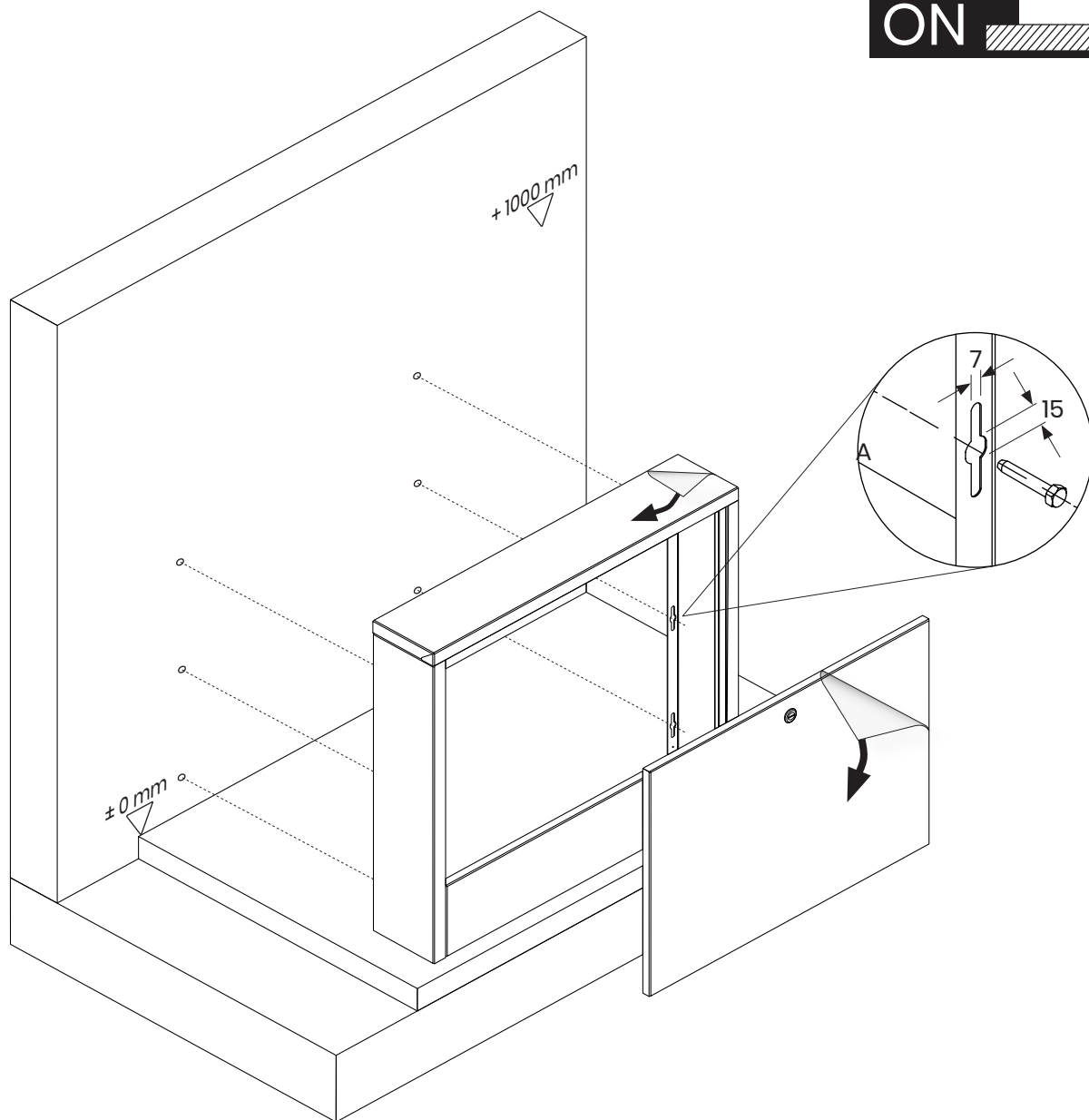


Art.-No.	A	B	C	F	H	I	J
Dry Wall / Trockenbau / cloisons sèches / versione per pareti in cartongesso / Sucha zabudowa / Droge wand / ingropat in perete							
FF9CFSD0A69040**	400	80	690	450	640-657	800	130
FF9CFSD0A69050**	500	80	690	550	640-657	800	130
FF9CFSD0A69070**	700	80	690	750	640-657	800	130
FF9CFSD0A69085**	850	80	690	900	640-657	800	130
FF9CFSD0A69100**	1000	80	690	1050	640-657	800	130
FF9CFSD0A69120**	1200	80	690	1250	640-657	800	130
flush / Unterputz / encastrable / ad incasso / podtynkowy / inbouw / ingropat in perete							
FF9CFSDIA69040**	400	110	690	450	640-657	800	160
FF9CFSDIA69050**	500	110	690	550	640-657	800	160
FF9CFSDIA69070**	700	110	690	750	640-657	800	160
FF9CFSDIA69085**	850	110	690	900	640-657	800	160
FF9CFSDIA69100**	1000	110	690	1050	640-657	800	160
FF9CFSDIA69120**	1200	110	690	1250	640-657	800	160





Art.-No.	A	B	C	F
on wall / Aufputz / apparențe / a parete / natynkowy / opbouw / aplicat pe perete				
FF9CWSD6F70045**	450	150	700	160
FF9CWSD6F70055**	550	150	700	160
FF9CWSD6F70075**	750	150	700	160
FF9CWSD6F70090**	900	150	700	160
FF9CWSD6F70105**	1050	150	700	160
FF9CWSD6F70125**	1250	150	700	160

