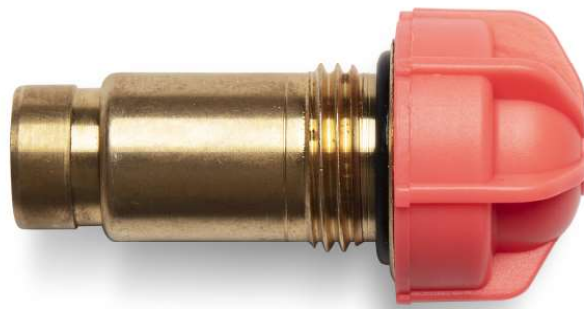


Flamingo insert for integrated radiators



- High precision presetting
- Kv from 0.02
- Evosense compatible
- Temperature: 5°C to +90°C
- Pressure class: PN 10

Description *Flamingo*

Applications

The Flamingo insert is used for presetting and regulating radiators with integrated manifold.

Description

The Flamingo insert provides the option to set the Kv value with high precision.

The preset scale can be found on the tool.

The Flamingo insert has protected setting, and should be preset using the associated tool.

The insert can be used in both 1 and 2 pipe systems.

FLA-HLI with internal O-ring

Purmo Plint
Purmo Plint P
Purmo Plint PD
Purmo Plint R
Purmo Plint RD
Purmo CV
Purmo CVM
Purmo FCVM



FLA-HLE with outer O-ring

Purmo Kon
Narbonne



Description *Flamingo*



Technical data

Pressure class

PN 10

max temperature

90 °C

Min. temperature

5 °C

Kv value (preset value) with thermostat/without thermostat

0,016–0,52/0,016–0,81

Accuracy

According to EN215: ± 10 % (Position N open 10kPa)

Position	1	2	3	4	5	6	7	8	9	10	N
kv på 2K	0,016	0,022	0,047	0,09	0,11	0,17	0,22	0,28	0,29	0,36	0,52
kvs	0,016	0,022	0,047	0,09	0,11	0,17	0,22	0,28	0,34	0,49	0,81
Flow l/h on 2K , 10 kPa*	5	7	15	27	35	55	70	88	93	113	165
Flow l/h on 2K , 5 kPa*	4	5	11	19	25	39	49	62	66	80	117
Tolerance l/h, on 2K , 10 kPa	±2	±2	±3	±3	±3	±3	±3	±4	±5	±5	±16

*Static pressure 0.1 MPa (1 bar), water 50°C, the insert must be in contact with water for at least 24h before measurement

Materials

Brass

EPDM

Noryl

POM

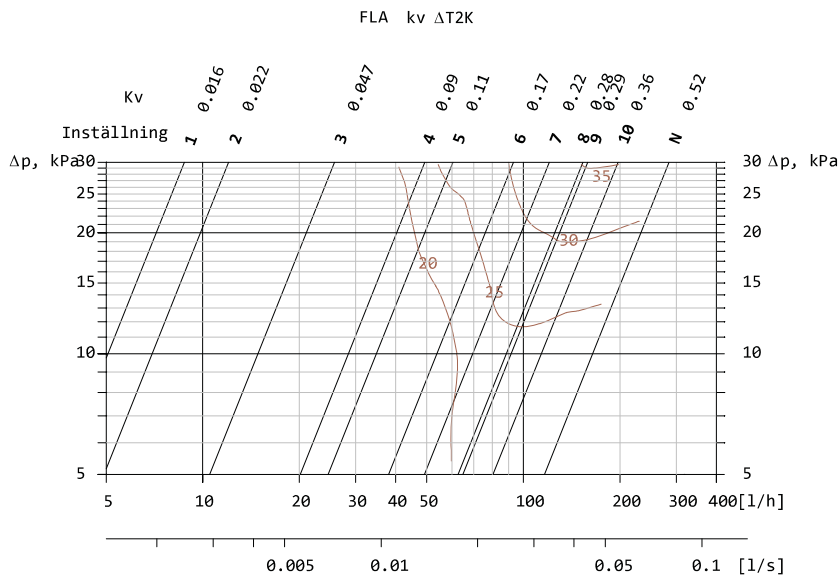
Connection

M28x1,5

M30x1,5

Description *Flamingo*

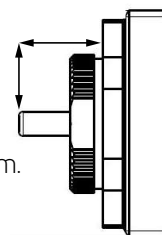
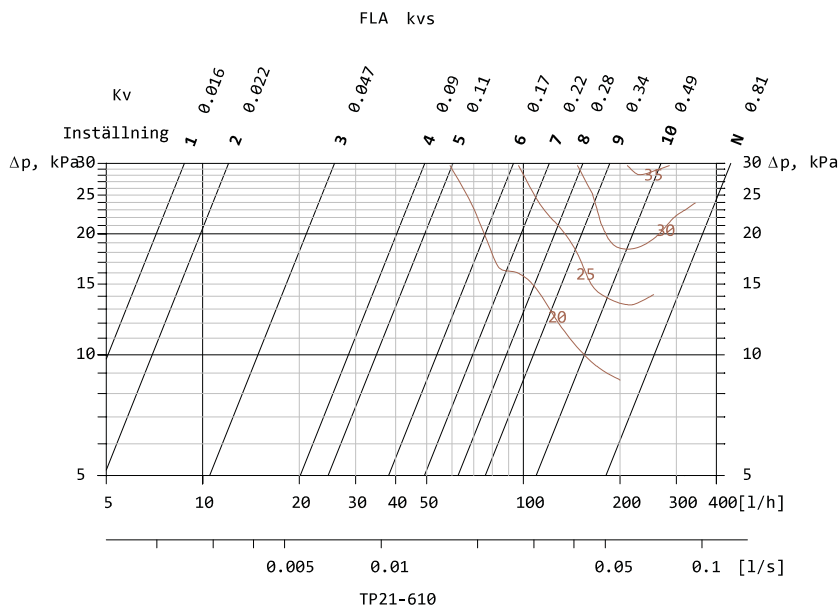
Pressure drop diagram



Use diagram KV ΔT2K at use of thermostat.

When using actuators, diagram KVS must be used.

Sound curves show levels at 20,25 and 30 dBA. Kv below the xx sound level indicates that the sound level is lower than xx for respective level. To take out a setting, you start from the desired flow. then you go straight up to the desired pressure drop. Then follow the line that is a little slanted to the end where the setting is specified. If the intersection is between two lines, you follow it in parallel.



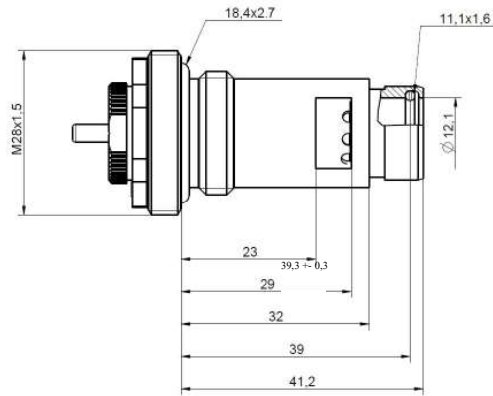
For M28x15: Closing position 10,0 and stroke approx. 2 mm.

Product information *Flamingo*

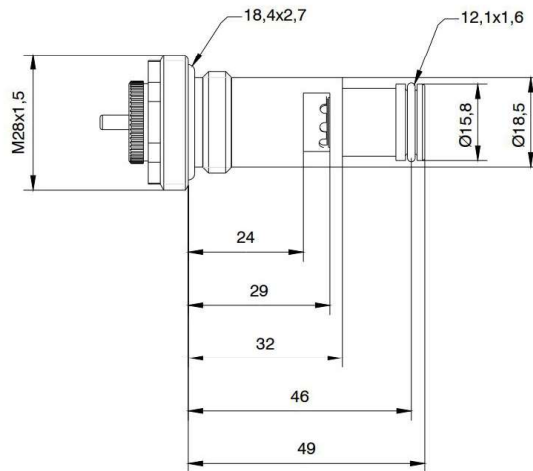


Measurement details

FDJU10M2800HLISE0
FLA-HLI-M28



FDJU10M28E0HLESE0
FLA-HLE-M28E





AMA-texts

Descriptive texts drawn up in accordance with AMA 2012

Flamingo **PSE.111** **Temperature controlled valve inserts** Valve insert with presettable pin by pack box.

Make: Purmo Group Sweden AB
Type: FLA

Ordering codes

Article number	Name	Description
FDJU10M2800HLISE0	FLA-HLI	M28x1,5
FDJU10M28E0HLESE0	FLA-HLE	M28x1,5E
FDJU10000TOX00SE0	FLA	Presetting tool