



# Fitting instructions

Skala Electric Towel Warmer (hidden cable) | 2022-04-01

**GB** DK FI NO SE





# Content

1.	<b>Safety Information</b>	-----	3
2.	<b>General information</b>	-----	4
3.	<b>Installation – Hanging the towel warmer</b>	-----	4
4.	<b>Electrical connection</b>	-----	5
5.	<b>Operating instructions</b>	-----	6
6.	<b>Cleaning</b>	-----	6
7.	<b>End of life disposal</b>	-----	6
8.	<b>Manufacturer’s guarantee</b>	-----	7



# Skala Electric Towel Warmer (Hidden Cable).

We want to thank you for choosing one of our products. We are confident that you will be happy with your selection because its quality and finish ensure comfort day after day. By following the suggestions contained in this manual, the product you have purchased will operate without problems giving you optimum comfort.

## 1. SAFETY INFORMATION

⚠ This product is designed to operate at 230 V.

⚠ Ensure all electrical power is switched off completely when any electrical work is being completed on the Towel Warmer.

⚠ The electrical installation must comply with local or national wiring regulations and should be carried out by a qualified electrician.

⚠ When moving the product ensure the Towel Warmer is carried by the metal frame and not the electric cable.

⚠ This appliance can be used by children aged from 8 years and above and persons with reduced physical, sensory or mental capabilities or lack of experience and knowledge if they have been given supervision or instruction concerning use of the appliance in a safe way and understand the hazards involved. Children shall not play with the appliance. Cleaning and user maintenance shall not be made by children without supervision.

⚠ Children must not play with this appliance.

⚠ Do not climb on the radiators or use them as sports equipment.

⚠ For the correct installation of this product, it is essential that fixing is carried out in such a way that it is suitable for intended use and predictable misuse. A number of elements need to be taken into consideration including the fixing method used to secure it to the wall, the type and condition of the wall itself, and any additional potential forces or weights that may happen to be applied to the unit, prior to finalising installation.

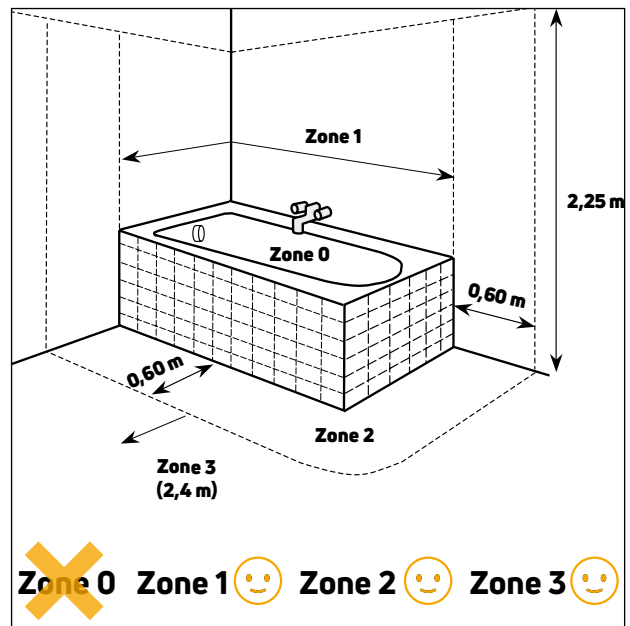
⚠ This product can be hot when in use, and as such, presents a risk of burns to users on prolonged contact. Installers and users should ensure that those who may come into close proximity to the product are aware of the risk of burns.

⚠ The electrically operated Towel Warmer must not be completely covered for safety reasons



⚠ This instruction leaflet is an integral part of the appliance. The installer MUST ensure it is left with the end user.

⚠ All repair and maintenance activities must be performed by suitably qualified personnel.



## 2. GENERAL INFORMATION

Before assembly, please read these instructions carefully and retain for future reference.

Before proceeding with the installation, unpack the product and make sure that all the components are present, and that there is no concealed shipping damage. Components include:

- towel warmer
- instruction manual
- accessories/mounting kit

This Towel Warmer is designed to work at an uncovered temperature of approximately 45°C and a covered temperature of 60°C to 65°C in an ambient room temperature of 20 °C. The product is suitable for use in Zone 1, 2 & 3 in

## 3. INSTALLATION – HANGING THE TOWEL WARMER

Ensure there is no electrical wiring, telephone cables, water pipes, or gas pipes beneath the surface where you intend to locate the towel warmer. Ensure also that the wall is strong enough to hold the towel warmer and that the desired position for the towel warmer is close enough so that the power cable will reach the power supply.

**WARNING:** In order to avoid a hazard for very young children, this appliance must be installed so that the lowest heated rail is at least 600 mm above the floor in accordance with (IEC 60335-2-43/A1:2006)

Please check that you have all the wall bracket fitting components as detailed below and in Fig 1:



Fig 1

- 6 x wall plugs
- 6 x M4.5x 40 screws
- 1 x M5 Allen key

### Step 1

Unscrew the cable connection cover plate screws and remove the cover plate (Fig 2).



Fig 2

Slide the bracket cover up and unscrew the wall plate grub

bathrooms and kitchens and due to the low wattage is very economical to run.

The manufacturer accepts no responsibility, either contractual or for consequential loss, for any damage caused to persons, animals or property as a result of incorrect installation, alteration, maintenance or improper use.

To ensure that the installation is carried out correctly and that the unit will perform as designed, carefully follow the instructions in this manual. Failure to follow the instructions can not only cause malfunctions of the appliance but will also invalidate the warranty and hence PG shall not respond for any damage to persons, animals or property.

screw (Fig 3).



Fig 3

Remove the plastic wall plate from the rail then slide it over the cable coming out of the wall and once in the required position mark the 3 screw holes with a pencil (Fig 4).



Fig 4

Remove the wall bracket, drill the holes and insert the wall plugs. Slide the wall bracket back over the cable and screw it firmly to the wall. It is recommended that silicon is put around the wall plug hole to ensure there is no water intrusion into the wall.

### Step 2

Remove the covers from the double-sided tape on each of the remaining 3 wall brackets (Fig 5).



Fig 5

### Step 3

Insert the power supply cable from the wall into the cable connection leg and pull the end of the cable through the cover plate hole (Fig 6).



**Fig 6**

Slide the rail over the O-ring onto the wall bracket but don't fully push the other three brackets against the wall until the rail has been leveled up. It is recommended to use a spirit level to ensure the rail is level. Once you have the rail in the correct position push the rail against the wall so the taped brackets are fixed firmly in position. Now loosen the grub screws on the brackets and remove the rail leaving the wall plates stuck to the wall.

**Step 4**

Using a pencil mark the center of the hole in the wall plates (Fig 7).



**Fig 7**

**4. ELECTRICAL CONNECTION**

The electrical connection of the towel warmer to the power supply should be carried out by a qualified electrician in accordance with current local and national electrical installation regulations.

When fitting in a toilet or bathroom the electrical connection must be protected by a 30 mA RCD. For further information see table below:

SKALA	
Model	Hidden Cable
Power	70 W
Supply	220 - 240 V 50 - 60 Hz
IP	IP 45
Size	754x500x100 mm

**Step 1**

With the rail firmly secured to the wall you can now connect the power feed wires to the towel rail power connector block (Fig 9).



**Fig 9**

Pull the wall plates off the wall, drill the holes, insert the wall plugs and screw the wall plates onto the wall using the long M4.5x 40 screws. It is recommended that silicon is put around the wall plug hole to ensure there is no water intrusion into the wall.

**Step 5**

Now slide the towel rail bracket legs over the wall plates as in step 3 and using the M5 Allen key secure the rail in position with the grub screws on all 4 legs (Fig 8).



**Fig 8**

Make sure the wires are fully inserted and no loose strands are sticking out. Once firmly tightened inset the cable connection block inside the towel rail leg (Fig 10).



**Fig 10**

**Step 2**

Put back the cable connection cover plate and tighten the screws (Fig 11).



**Fig 11**

The rail is now ready to use.

## 5. OPERATING INSTRUCTIONS

The towel rail power feed isolation switch is switched ON and OFF by pressing the switch on the bottom right hand upright (Fig 12).



o = OFF  
I = ON

Fig 12 ON/OFF switch

To operate the towel rail, switch the red power feed button to "I". The towel rail can now be switched on by pressing the ON/OFF switch on the timer control panel on the front of the towel rail. The towel rail will remain on until the ON/OFF button is switched off.

To use the 2-4 hour timer, switch the ON/OFF button **1** to "ON", then press the 2-4 hour timer button **2**. Press once for 2 hours or twice for 4 hours. A small blue light **3** under

the 2 or 4 hour indicator will light up to confirm the time you have chosen. The towel rail will now remain on until the time selected has passed, then rail will then automatically switch off. The rail can be switched off at any time by pressing the ON/OFF switch.



- 1** ON/OFF button
- 2** Button for 2-4 hour timer
- 3** Indicator light for 2-4 hour timer

Fig 13 Timer control panel

## 6. CLEANING

Any hard scrubbing or scratching to the product surface will result in damage to the surface of the towel warmer. The use of any cleaning products which contain acid or corrosive agents will also damage this product. For best results use a cream cleaner.

Cleaning should be done using a damp soft cloth.

## 7. END OF LIFE DISPOSAL

Products with the crossed out wheelee bin symbol cannot be disposed of as household waste. Old electrical and electronic equipment must be recycled at a facility capable of handling these products and their waste by-products. If you are purchasing replacement equipment your retailer may offer a take back scheme, or be able to give details of the nearest approver authorised treatment facility. Proper recycling and waste disposal will help conserve resources while preventing detrimental effects on our health and the environment.



## 8. MANUFACTURER'S GUARANTEE

### WHAT THE GUARANTEE COVERS

- This guarantee covers defects in manufacture, materials or workmanship.
- This product is supplied for installation in homes.
- For a period of 5 years from the date of purchase our only obligation is to replace the defective non-electrical components of products at our discretion. Replaced products become our property and can only be disposed of with our authorisation.
- Electrical elements are guaranteed for 24 months from the date of purchase.
- Please inspect your product on receipt. In the unlikely event a product problem is noted prior to installation, you must refer back to us within 30 days. In the event of shipping damage you must refer back within 14 days. We cannot accept any claim outside this timeframe.
- Any claim made to us must be in writing and accompanied by a proof of payment showing the date of purchase.
- Should the product be deemed to be unsuitable through no fault of the manufacturer, the purchaser can return the product for a refund within 28 days, however the purchaser is responsible for the safe return of the product and any shipping cost.

### WHAT THE GUARANTEE DOES NOT COVER

- General wear and tear.
- Damage arising from improper use or installation.
- Damage resulting from failure to maintain the product in accordance with the cleaning and care instructions quoted below.
- Damage arising due to connecting the product to an electrical supply not corresponding with the name plate specifications, or due to power surges.
- Damage arising from installation not in accordance with

electrical or plumbing codes, or use of accessories not approved by the manufacturer.

- No liability is accepted for any injury, loss of income, consequential damage to other household fixtures, fittings or furnishings arising from any claim, even if attached to the product.
- No liability is accepted for any labour or associated costs that may be incurred in the removal or installation of the product.
- Any freight charges, damages due to loss or damage in transit.
- Our obligation under this warranty is to the original purchaser only and may not be transferred if the product is sold to another party.
- As we are continually improving and developing our ranges we may not be able to provide an identical replacement for a defective product through the warranty period. Where an identical product is not available, we will supply a product of a value and such features as we consider appropriate in the circumstances.
- The replacement product will be covered under this warranty only for the balance of the original warranty period.
- This warranty does not affect your statutory rights. If any of the provisions above are contrary to any relevant legislation, then that provision shall be deemed to be excluded from the warranty and the rest of the provisions will apply.

This product should only be installed by a qualified professional. Keep this warranty sheet along with your sales receipt together for future reference (electronic sales receipt acceptable). You must provide proof of payment to invoke this warranty. If you have any warranty claims contact the retailer you purchased this item from.



# Indhold

1.	<b>SIKKERHEDSOPLYSNINGER</b>	9
2.	<b>GENEREL INFORMATION</b>	10
3.	<b>INSTALLATION – OPHÆNGNING AF HÅNDKLÆDEVARMEREN</b>	10
4.	<b>ELTILSLUTNING</b>	11
5.	<b>BRUGSVEJLEDNING</b>	12
6.	<b>RENGØRINGEN</b>	12
7.	<b>BORTSKAFFELSE AF UDTJENTE PRODUKTER</b>	12
8.	<b>PRODUCENTENS GARANTI</b>	13






# Skala Elektrisk Håndklædetørrer (skjult kabel).

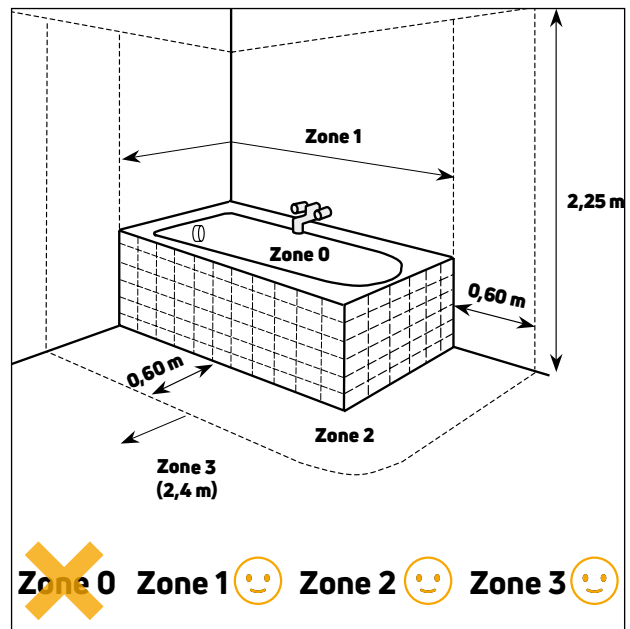
Tak fordi du har valgt et af vores produkter. Vi er overbeviste om, at du vil være tilfreds med dit valg, da kvaliteten og finishen sikrer komfort dag efter dag. Ved at følge anvisningerne i denne manual vil det produkt, du har købt, fungere uden problemer og give dig optimal komfort.

## 1. SIKKERHEDSOPLYSNINGER

- ⚠ Dette produkt er designet til at fungere ved 230 V.
- ⚠ Sørg for, at al strømforsyning er slået fra, når der udføres elektrisk arbejde på håndklædetørreren.
- ⚠ Den elektriske installation skal overholde lokale eller nationale sikkerhedsforskrifter og skal udføres af en autoriseret elektriker.
- ⚠ Sørg for, at håndklædetørreren bæres i metalrammen og ikke i ledningen, når du flytter produktet.
- ⚠ Apparatet kan anvendes af børn over 8 år og af personer med nedsatte fysiske, sensoriske eller mentale evner eller manglende erfaring eller kendskab, hvis de overvåges eller er blevet instrueret i at bruge apparatet på en sikker måde og forstår de farer, som kan forekomme. Rengøring og brugervedligeholdelse må ikke udføres af børn uden opsyn.
- ⚠ Børn må ikke lege med apparatet.
- ⚠ Kravl ikke op på elementerne, og brug dem ikke som sportsudstyr.
- ⚠ For at kunne installere produktet korrekt er det vigtigt, at det fastgøres på en sådan måde, at det er egnet til den tilsigtede brug og forudsigelig misbrug. Der skal tages højde for en række elementer, herunder den fastgørelsesmetode, der anvendes til at fastgøre den til væggen. Vægtypen og dens tilstand samt eventuelle yderligere kræfter eller vægt, der kan være anvendt på enheden, før installationen færdiggøres.
- ⚠ Dette produkt kan være varmt under brug og udgør derfor en risiko for forbrændinger ved længerevarende

de kontakt. Installatører og brugere skal sørge for, at personer, der kan komme i nærheden af produktet, er opmærksomme på risikoen for forbrændinger.

- ⚠ Af sikkerhedsmæssige årsager må den elektriske håndklædetørrer ikke tildækkes helt. 
- ⚠ Brugsanvisningen er en integreret del af apparatet. Installatøren SKAL sørge for, at den efterlades hos slutbrugeren.
- ⚠ Alle reparationer og vedligeholdelsesarbejder skal udføres af kvalificeret personale.



## 2. GENEREL INFORMATION

Læs disse instruktioner omhyggeligt før montering, og gem dem til senere brug.

Inden du fortsætter med installationen, skal du pakke produktet ud og sikre dig, at alle komponenter er på plads, og at der ikke er skjulte transportskader. Inkluderet i pakken:

- Håndklædetørrer
- Brugervejledning
- Tilbehør/monteringssæt

Håndklædetørreren er designet til at fungere ved en util-dækket temperatur på ca. 45 °C og en tildækket temperatur på 60 °C til 65 °C ved en omgivelsestemperatur på 20 °C. Produktet er velegnet til brug i zone 1, 2 og 3 i badeværelser og køkkener,

Og på grund af det lave strømforbrug er den meget økonomisk at bruge.

Producenten påtager sig intet ansvar, hverken for modstridende skader eller følgeskader, for skader forårsaget af personer, dyr eller ejendom som følge af forkert installation, ændring, vedligeholdelse eller forkert brug.

For at sikre, at installationen udføres korrekt, og at enheden fungerer efter hensigten, skal instruktionerne i denne manual følges nøje. Manglende overholdelse af disse instruktioner kan ikke alene forårsage funktionsfejl på apparatet, men vil også ugyldiggøre garantien og vil derfor ikke være ansvarlig for PG's skader på personer, dyr eller ejendom.

## 3. INSTALLATION – OPHÆNGNING AF HÅNDKLÆDEVARMEREN

Sørg for, at der ikke er nogen elektriske kabler, telefonkabler, vandrør eller gasrør i væggen, hvor du vil placere håndklædetørreren. Sørg også for, at væggen er stærk nok til at holde håndklædetørreren, og at håndklædetørrerens ønskede position er tæt nok på, til at strømkablet kan nå strømforsyningen.

**ADVARSEL:** For at undgå risiko for meget små børn skal dette apparat installeres, så den nederste opvarmede del er mindst 600 mm over gulvet i henhold til (IEC 60 335-2-43/A1:2006)

Sørg for, at du har alle vægbeslagene som beskrevet nedenfor og i fig. 1:



Fig. 1

- 6 x rawlplugs
- 6 x M4,5 x 40 skruer
- 1 x M5 unbrakonøgle

### Trin 1

Skrue skruerne til kabeltilslutningens afdækningsplade af, og fjern afdækningspladen (Fig. 2).



Fig. 2

Skub holderens afdækning op, og skru vægpladen af gen-

nem skruer (Fig. 3).



Fig. 3

Fjern plastvægpladen fra skinnen, og skub den derefter over kablet, der kommer ud af væggen. Når den er i den rigtige position, skal du markere de 3 skruehuller med en blyant (Fig. 4).



Fig. 4

Fjern vægbeslaget, bor hullerne, og sæt rawlplugs i. Skub vægbeslaget tilbage over kablet, og skru det fast i væggen. Det anbefales at placere silikone omkring hullet for at sikre, at der ikke trænger vand ind i væggen.

### Trin 2

Fjern beskyttelsen fra den dobbeltklæbende tape på hvert af de resterende 3 vægbeslag (Fig. 5).



Fig. 5

### Trin 3

Før strømkablet fra væggen ind i kabelforbindelsesbenet, og før enden af kablet gennem hullet i afdækningspladen (Fig. 6).



Fig. 6

Skub håndklædetørreren over O-ringen på vægbeslaget, men skub ikke de øvrige tre beslag helt mod væggen, før den er nivelleret. Det anbefales at bruge et vaterpas for at sikre, at håndklædetørreren er i vater. Når den er placeret korrekt, trykkes den mod væggen, så de tapede beslag fastgøres korrekt. Løsn nu skruestifterne på beslagene, og fjern håndklædetørreren, så monteringsbeslagene sidder fast på væggen.

#### Trin 4

Afmærk midten af hullet i monteringsbeslagene med en blyant (Fig. 7).



Fig. 7

### 4. ELTILSLUTNING

Håndklædetørrerens elektriske tilslutning til strømforsyningen skal udføres af en autoriseret elektriker i overensstemmelse med gældende lokale og nationale regler for elinstallation.

Ved montering i toilet eller badeværelse skal den elektriske tilslutning beskyttes med en fejlstrømsafbryder på 30 mA. Se skemaet nedenfor for yderligere oplysninger:

SKALA	
Modelbetegnelse	Skjult kabeltilslutning
Effekt	70 W
Elforsyning	220 - 240 V 50 - 60 Hz
IP	IP 45
Mål	754x500x100 mm

#### Trin 1

Når håndklædetørreren er korrekt fastgjort til væggen, kan du slutte strømkablerne til håndklædeskinnens strømtilslutningsblok (Fig. 9).



Fig. 9

Træk vægpladerne af væggen, bor huller, sæt rawplugs i, og skru vægpladerne fast på væggen med de lange M4,5 x 40-skruer. Det anbefales at placere silikone omkring hullet for at sikre, at der ikke trænger vand ind i væggen.

#### Trin 5

Skub nu håndklædeskinnens konsolben over vægpladerne som i trin 3, og brug M5-unbrakonøglen til at fastgøre skinnen på plads med stilleskruerne på alle 4 ben. (Fig. 8)



Fig. 8

Sørg for, at kablerne er sat helt ind, og at der ikke stikker løse tråde ud. (Fig. 10).



Fig. 10

#### Trin 2

Sæt kabelstikkets afdækningsplade på igen, og spænd skruerne (Fig. 11).



Fig. 11

Skinnen er nu klar til brug.

## 5. BRUGSVEJLEDNING

Afbryderen til strømforsyning til håndklædetørreren tændes og slukkes ved at trykke på knappen nederst til højre i oprejst position (Fig. 12).



o = OFF  
I = ON

Fig. 12 ON/OFF Kontakt

Hvis du vil bruge håndklædetørreren, skal du dreje den røde strømknap til „I“. Håndklædetørreren kan nu tændes ved at trykke på tænd/sluk-knappen på timerens kontrolpanel på forsiden af håndklædetørreren. Håndklædetørreren forbliver tændt, indtil der slukkes for strømmen.

For at bruge 2-4 timers timeren skal du trykke ON/OFF <sup>1</sup> for at tænde den. Tryk derefter „ON“ 2-4 timer-knappen <sup>2</sup>. Tryk én gang for 2 timer eller to gange for 4 timer. Et lille

blåt lys <sup>3</sup> under indikatoren for 2 eller 4 timer lyser for at bekræfte den valgte tid. Håndklædetørreren vil nu være tændt, indtil den valgte tid er gået, hvorefter den automatisk slukker. Håndklædetørreren kan til enhver tid slukkes ved at trykke på tænd/sluk-knappen.



- 1 ON/OFF knap
- 2 Knap til 2-4 timer
- 3 Lysindikator for 2-4 timer

Fig. 13 Timerkontrolpanel

## 6. RENGØRINGEN

Anvend ikke slibende eller ridsende rengøringsmaterialer, da det medfører skader på håndklædetørrerens overflade. Brug af rengøringsmidler, der indeholder syreholdige eller ætsende stoffer, vil også beskadige produktet. Brug et ikke slibende rengøringsmiddel for at opnå det bedste resultat.

Rengøres med en fugtig, blød klud.

## 7. BORTSKAFFELSE AF UDTJENTE PRODUKTER

Produkter med overkrydsede skraldespande må ikke bortskaffes sammen med husholdningsaffald. Gammelt elektrisk og elektronisk udstyr skal genbruges på et anlæg, der kan håndtere disse produkter og deres restprodukter. Hvis du køber erstatningsudstyr, kan din forhandler tilbyde et retur-system eller give oplysninger om det nærmeste godkendte behandlingssted. Korrekt genanvendelse og affaldshåndtering bidrager til at bevare ressourcerne, samtidig med at vi forhindrer skadelige virkninger på vores sundhed og miljøet.



## 8. PRODUCENTENS GARANTI

### GARANTIENS OMFANG

- Garantien dækker produktions-, materiale- eller produktionsfejl.
- Dette produkt leveres til installation i hjemmet.
- I en periode på 5 år fra købsdatoen forpligter vi os til at udskifte defekte ikke-elektriske komponenter i produktet. Udskiftede produkter bliver vores ejendom og kan kun frasælges efter vores godkendelse.
- Elradiatorerne har 24 måneders garanti fra købsdatoen.
- Kontrollér produktet ved modtagelsen. I det usandsynlige tilfælde, at der opdages et produktproblem inden installationen, skal du kontakte os inden for 30 dage. Ved transportskader skal du vende tilbage inden for 14 dage. Vi kan ikke acceptere krav uden for denne tidsramme.
- Ethvert krav til os skal være skriftligt og ledsages af et betalingsbevis, der viser købsdatoen.
- Hvis produktet anses for at være uegnet uden producentens fejl, kan køber returnere produktet til refundering inden for 28 dage, men køber er ansvarlig for sikker returnering af produktet og eventuelle fragtomkostninger.

### HVAD GARANTIE IKKE DÆKKER

- Generel slitage.
- Skader, der er opstået på grund af forkert brug eller installation.
- Skader, der skyldes, at produktet ikke er blevet vedligeholdt i overensstemmelse med rengørings- og plejeanvisningerne.
- Skader, der opstår som følge af tilslutning af produktet til en strømkilde, der ikke er i overensstemmelse med typeskiltets specifikationer, eller som skyldes elektrisk stød.
- Skader, der opstår som følge af installation, der ikke er i overensstemmelse med forskrifterne for el og VVS, eller

brug af tilbehør, der ikke er godkendt af producenten.

- Vi påtager os intet ansvar for skader, tab af indtægter eller følgeskader på andet husholdnings inventar, inventar eller møbler, der måtte opstå som følge af krav, selvom de er monteret på produktet.
- Der påtages intet ansvar for arbejde eller de dermed forbundne omkostninger, som måtte opstå ved afmontering eller montering af produktet.
- Eventuelle fragtomkostninger, skader på grund af tab eller transportskade.
- Vores forpligtelse i henhold til denne garanti gælder kun for den oprindelige køber og kan ikke overdrages, hvis produktet sælges til en anden part.
- Da vi løbende forbedrer og udvikler vores sortiment, kan vi muligvis ikke tilbyde en identisk erstatning for et defekt produkt i garantiperioden. Hvis et identisk produkt ikke er tilgængeligt, vil vi levere et produkt med en værdi og egenskaber, som vi finder passende under omstændighederne.
- Erstatningsproduktet er kun dækket af denne garanti i den oprindelige garantiperiode.
- Denne garanti påvirker ikke dine lovbestemte rettigheder. Hvis nogen af bestemmelserne herover er i strid med nogen relevant lovgivning, anses denne bestemmelse for at være undtaget fra garantien, og resten af bestemmelserne vil være gældende.

Dette produkt må kun installeres af en kvalificeret fagmand. Gem dette garantiark sammen med købskvitteringen til fremtidig brug. Du skal fremlægge dokumentation for betaling for at gøre brug af denne garanti. Hvis du har nogen form for garantikrav, bedes du kontakte den forhandler, hvor du købte produktet.



# Sisällysluettelo

1.	<b>TURVALLISUUSOHJEE</b>	15
2.	<b>YLEISTÄ</b>	16
3.	<b>PYYHELÄMMITTIMEN ASENNUS</b>	16
4.	<b>SÄHKÖKYTKENTÄ</b>	17
5.	<b>KÄYTTÖOHJEET</b>	18
6.	<b>PUHDISTUS</b>	18
7.	<b>KÄYTÖSTÄ POISTETTAVAN TUOTTEEN HÄVITTÄMINEN</b>	18
8.	<b>TAKUU</b>	19




# Skala Sähköinen pyyhekuivain (näkymätön sähkökytkentä)

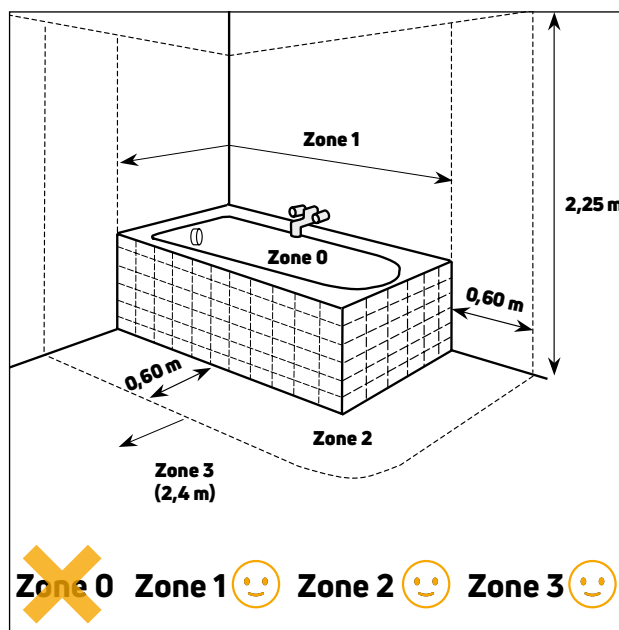
*Kiitos, että valitsit jonkin tuotteistamme. Olemme varmoja siitä, että olet tyytyväinen valintaasi, sillä laatu ja viimeistely takaavat mukavuuden päivästä toiseen. Noudattamalla tämän oppaan ehdotuksia ostamasi tuote toimii ongelmitta ja tarjoaa optimaalista mukavuutta.*

## 1. TURVALLISUUSOHJEET

- ⚠ Tämä tuote on suunniteltu toimimaan 230 V jännitteellä.
- ⚠ Varmista, että virransyöttö on katkaistu kokonaan, kun pyyhekuivaimen asennus on kesken.
- ⚠ Sähköasennuksen on oltava sähkömääräysten mukainen. Kuivaimen kiinteän sähköasennuksen saa suorittaa vain valtuutettu sähköasentaja.
- ⚠ Jos pyyhekuivaimen paikkaa vaihdetaan, varmista, että pyyhekuivain ei jää roikkumaan virtajohtosta missään vaiheessa.
- ⚠ Yli 8-vuotiaat lapset tai kyvyiltään rajoittuneet henkilöt saavat käyttää pyyhekuivainta vain, jos he ovat saaneet opastusta tai ohjeet pyyhekuivaimen turvalliseen käyttöön ja ymmärtävät tähän liittyvät riskit. Lapset eivät saa leikkiä pyyhekuivaimella. Lapset eivät saa puhdistaa tai huoltaa laitetta ilman valvontaa.
- ⚠ Lapset eivät saa leikkiä laitteella.
- ⚠ Pyyhekuivaimen päälle ei saa kiivetä eikä sitä saa käyttää urheiluvälineenä.
- ⚠ Tuotteen oikean asennuksen varmistamiseksi on tärkeää, että kiinnitys tehdään käyttötarkoituksen mukaisella tavalla. On otettava huomioon useita asioita kuten kiinnitys jolla kuivain kiinnitetään seinään, seinän tyyppi ja kunto sekä mahdolliset muut laitteeseen kohdistuvat rasitukset ennen asennuksen suorittamista loppuun.
- ⚠ Pyyhekuivaimen pintalämpötila saattaa olla kuuma,

joten pitkäaikainen kontakti voi aiheuttaa palovammoja. Asentajan ja käyttäjän on varmistettava, että tuotteen lähellä olevat henkilöt ovat tietoisia palovammojen vaarasta.

- ⚠ Pyyhekuivainta ei saa peittää kokonaan. 
- ⚠ Tämä ohje on olennainen osa laitetta. Asentajan PITÄÄ VARMISTAA, että ohje jätetään käyttäjälle.
- ⚠ Kaikki korjaus- ja huoltotyöt saa suorittaa vain valtuutettu asentaja.



## 2. YLEISTÄ

Lue nämä ohjeet huolellisesti ennen asennusta ja säilytä ne huolella.

Ennen asennuksen aloittamista pura tuote pakkauksesta ja varmista, että kaikki komponentit ovat paikoillaan ja että niissä ei ole kuljetusvaurioita. Pakkauksen sisältö:

- Pyyhekuivain
- Käyttäjän opas
- Lisävarusteet/asennussarja

Tämä pyyhekuivain on suunniteltu toimimaan noin +45 °C:n lämpötilassa huonelämpötilan ollessa noin +20 °C:n lämpötilassa. Pyyhekuivain on tarkoitettu käytettäväksi kylpyhuo-

neessa vyöhykkeillä 1, 2 ja 3.

Valmistaja ei vastaa mistään henkilö-, eläin- tai omaisuusvahingoista, jotka johtuvat virheellisestä asennuksesta, muutoksista, kunnossapidosta tai käytöstä.

Noudata tämän käyttöohjeen ohjeita huolellisesti varmistaksesi, että asennus on tehty oikein ja että laite toimii tarkoitettulla tavalla. Ohjeiden noudattamatta jättäminen voi aiheuttaa laitteen toimintahäiriön ja mitätöidä takuun. PG ei vastaa ihmisille, eläimille tai omaisuudelle aiheutuvista vaurioista.

## 3. ASENNUS – PYYHEKUIVAIMEN RIPUSTUS

Varmista, ettei kohdassa johon aiot pyyhekuivaimen asentaa ole pinnan alla mitään johtoja tai putkia. Varmista myös, että seinä on riittävän tukeva pyyhekuivaimelle ja että pyyhekuivaimen haluttu paikka on riittävän lähellä, jotta virtajohto yltää pistorasiaan.

**VAROITUS:** Pienten lasten vaaran välttämiseksi tämä laite on asennettava siten, että kuivaimen minimikorkeus lattiasta on vähintään 600 mm (IEC 60335-2-43/A1:2006)

Varmista, että toimituksen mukana on tullut kaikki alla olevassa kuvassa (Kuva. 1) näkyvät tarvikkeet:



Kuva. 1

- 6 x Kiinnitystulpat
- 6 x M4,5 x 40 ruuvia
- 1 x M5-kuusiokoloavain

### Vaihe 1

Irrota ruuvit jotka pitävät sähkökaapelin peitelevyn paikoillaan, ja irrota peitelevy (Kuva. 2).



Kuva. 2

Nosta peitelevy ylös ja ruuvaa seinää vasten tuleva muovinen "seinälaippa" irti (Kuva. 3).



Kuva. 3

Ota seinälaippa irti pyyhekuivaimesta ja pujota seinästä tuleva sähköjohto sen läpi. Kun laippa on seinää vasten niin merkkaa ruuvien kohdat (Kuva. 4).



Kuva. 4

Poista laippa ja poraa ruuvinreiät. Laita seinätulpat paikoilleen ja ruuvaa laippa kiinni seinään. Muista varmistaa seinän tiiveys laittamalla silikonivaahkoa porattuun reikään ja sen ympärille.

### Vaihe 2

Irrota kaksipuolisen teipin suojaus kaikista kolmesta jäljellä olevasta seinäkiinnikkeestä (Kuva. 5).



Kuva. 5



### Vaihe 3

Laita seinästä tuleva sähkösyöttökaapeli sille kuuluvaan "jalkaan" ja vedä peitelevyn läpi (Kuva. 6).



Kuva. 6

Laita pyyhekuivain nyt kyseisen kiinnityskohdan päälle, mutta älä vielä paina muita kiinnikkeitä seinää vasten. Vasta sitten kun olet varmistanut että pyyhekuivain on vaakasuorassa. Suosittelemme vesivaa'an käyttöä varmistaaksesi, että pyyhekuivain on suorassa. Pyyhekuivaimen ollessa suorassa, paina se seinää vasten niin, että teipatut kiinnikkeet tarttuvat seinään. Löysää nyt ruuvit niin että saat pyyhekuivaimen laskettua alas mutta niin että kaksipuoliset teipit pitävät kiinnitysholkit seinällä.

### Vaihe 4

Merkitse porauskohta kynällä (Kuva. 7).



Kuva. 7

Irraita kiinnitysholkit seinästä, poraa reiät, aseta kiinnitystulpat ja kiinnitä seinälevyt seinään M4,5 x 40 -ruuveilla. Muista varmistaa seinän tiiveys laittamalla silikoniasennusliimaa porattuun reikään ja sen ympärille.

### Vaihe 5

Laita nyt pyyhekuivain (pyyhekuivaimen "jalat") seinässä oleviin kiinnitysholkkeihin ja kiinnitä pyyhekuivain kiinnitystapeilla M5-kuusiokoloavaimella (Kuva. 8).



Kuva. 8

## 4. SÄHKÖLIITÄNTÄ

Asennettaessa saniteettitiloihin tai kylpyhuoneisiin on noudatettava voimassa olevia sähköasennuksia koskevia määräyksiä, ja sähköliitännän suojana on käytettävä 30 mA:n vikavirtasuojajytkintä. Lisätietoja alla olevassa taulukossa:

SKALA	
Malli	Näkymätön sähkökytkentä
Teho	70 W
Syöttö	220 - 240 V 50 - 60 Hz
IP	IP 45
Mitat	754x500x100 mm

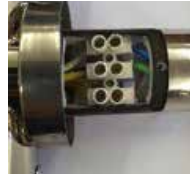
### Vaihe 1

Kun pyyhekuivain on kiinnitetty tukevasti seinään, voidaan suorittaa sähkökytkentä (Kuva. 9).



Kuva. 9

Varmista että kaikki johdot on varmasti pyyhekuivaimen sisäpuolella (Kuva. 10).



Kuva. 10

### Vaihe 2

Asetakaapeliliitännän kansilevy takaisin paikoilleen ja ja kiristä ruuvit (Kuva. 11).



Kuva. 11

Asennus on nyt suoritettu ja pyyhekuivain on valmis käytettäväksi.

## 5. KÄYTTÖOHJEET

Pyyhekuivain kytketään päälle ja pois painamalla oikeassa alakulmassa virtakytkintä (Kuva. 12).



O = OFF  
I = ON

Kuva. 12 ON/OFF Kytkin

Kun haluat kytkeä pyyhekuivaimen päälle, paina punainen virtakytkin asentoon „I”. Pyyhekuivain voidaan nyt kytkeä päälle painamalla ajastimen ohjauspaneelissa olevaa kytkintä pyyhekuivaimen etupuolella. Pyyhekuivain pysyy päällä, kunnes virtakytkin kytketään pois päältä.

Käynnistä 2-4 tunnin ajastin painamalla ON/OFF-kytkin 1 asentoon "ON" ja paina sitten 2-4 tuntia ajastinpainikkeesta 2. Paina kerran jos halutessasi 2 tunnin ajan tai kahdesti halutessasi 4 tunnin ajan. Pieni sininen valo 3

## 6. PUHDISTUS

Tuotteen pinnan kova hankaaminen tai naarmuttaminen vahingoittaa kuivaimen pintaa. Happamia tai syövyttäviä aineita sisältävien puhdistusaineiden käyttö ovat myös vahingoittavia. Parhaan tuloksen saat käyttämällä neste-mäistä pesuainetta.

Puhdista kostealla pehmeällä liinalla.

## 7. KÄYTÖSTÄ POISTETTAVIEN TUOTTEIDEN HÄVITTÄMINEN

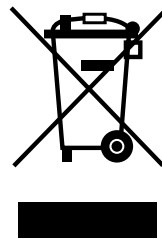
Kuivainta ei saa hävittää talousjätteen mukana. Vanhat sähkö- ja elektroniikkalaitteet on toimitettava niille tarkoitettuun paikkaan. Ostaessasi uuden kuivaimen voit palauttaa vanhan kuivaimesi heille tai saada häneltä lähimmän vastaanotopisteen tiedot. Asianmukainen kierrätys ja hävittäminen auttavat säästämään luonnonvaroja ja estämään samalla haitallisia vaikutuksia terveyteen ja ympäristöön.

2 tai 4 tunnin ilmaisimen alapuolella syttyy merkiksi siitä, minkä ajan olet valinnut. Pyyhekuivain on päällä siihen asti, kunnes valittu aika on kulunut, tämän jälkeen se sammuu automaattisesti. Pyyhekuivain on mahdollista sammuttaa milloin vain painamalla virtakytkintä.



- 1 ON/OFF-kytkin
- 2 Painike 2-4 tunnin valinnalle
- 3 Valoilmaisin 2-4 h ajastimelle

Kuva. 13 Ajastimen ohjauspaneeli



## 8. VALMISTAJAN TAKUU

### TAKUUN LAAJUUS

- Takuu kattaa valmistus-, materiaali- ja valmistusvirheet.
- Tämä tuote on tarkoitettu käytettäväksi kotioiloissa.
- Ei-sähköisillä osilla on 5 vuoden takuu ostopäivästä lukien.
- Sähköosilla on 2 vuoden takuu ostopäivästä lukien.
- Tarkista tuote vastaanottaessasi sen. Jos havaitset tuotteessa ongelmia tai virheitä ennen asennusta, ota meihin yhteyttä 30 päivän kuluessa. Kuljetusvaurioiden ollessa kyseessä on otettava yhteyttä 14 päivän kuluessa. Aikarajan ylityksen jälkeen emme voi hyväksyä korvaushakemuksia.
- Kaikkien meille esitetyt reklamaatiot on tehtävä kirjallisesti, ja niiden mukana on oltava maksutodistus, josta käy ilmi ostopäivämäärä.
- Jos tuote katsotaan sopimattomaksi ilman valmistajan virheitä, ostaja voi palauttaa tuotteen 28 päivän kuluessa, mutta ostaja on vastuussa tuotteen turvallisesta palautuksesta ja kuljetuskustannuksista.

### TAKUU EI KATA

- Normaali käytöstä aiheutuvaa kulumista.
- Virheellisestä käytöstä tai asennuksesta johtuvat vauriot.
- Vauriot, jotka johtuvat siitä, että tuotetta ei ole huollettu annettujen puhdistus- ja hoito-ohjeiden mukaisesti.
- Vauriot, jotka johtuvat tuotteen kytkemisestä virtalähteen, joka ei ole tyyppikilven määritysten mukainen, tai jotka johtuvat virtapiikeistä.

- Vauriot, jotka johtuvat asennuksesta, joka ei ole määrätysten mukainen, tai muiden kuin valmistajan hyväksyttävien lisävarusteiden käytöstä.
- Emme ole vastuussa mistään vahingoista, tulonmenetyksistä, kalusteista tai kolmansille osapuolille aiheutuvista vahingoista.
- Tuotteen purkamisesta tai kokoamisesta aiheutuvista töistä tai niihin liittyvistä kustannuksista.
- Mahdolliset rahtikustannukset, menetyksestä tai kuljetusvauriosta johtuvat vahingot.
- Tämän takuun mukainen sitoumuksemme koskee ainoastaan tuotteen alkuperäistä ostajaa. Takuu ei siirry, jos tuote myydään toiselle osapuolelle.
- Koska kehitämme ja parannamme valikoimaamme jatkuvasti, emme välttämättä voi tarjota täysin samanlaista tuotetta takuuajana. Jos täysin samanlaista tuotetta ei ole saatavilla, toimitamme tuotteen, jonka arvo ja ominaisuudet ovat mahdollisimman yhteensopivat alkuperäisen tuotteen kanssa.
- Tämä takuu kattaa korvaavan tuotteen vain alkuperäisen tuotteen mukaisen takuuajan.

Tämän tuotteen saa asentaa vain valtuutettu ammattilainen. Säilytä nämä takuehdot yhdessä ostokuitin kanssa. Maksukuitti on esitettävä mahdollisen reklamaation yhteydessä. Jos sinulla on takuuseen liittyviä vaatimuksia, ota yhteyttä jälleenmyyjään.



# Innehålls

1.	<b>SIKKERHETSINSTRUKSER</b>	21
2.	<b>GENERELL INFORMASJON</b>	22
3.	<b>INSTALLASJON – OPPHENG AV HÅNDKLEVARMEREN</b>	22
4.	<b>ELEKTRISK TILKOBLING</b>	23
5.	<b>BRUKSVEILEDNING</b>	24
6.	<b>RENGJØR</b>	24
7.	<b>KASSERING AV UTSLITTE PRODUKTER</b>	24
8.	<b>PRODUSENTENS GARANTI</b>	25




# Skala elektrisk håndkletørker (fast montasje / skjult kabel).

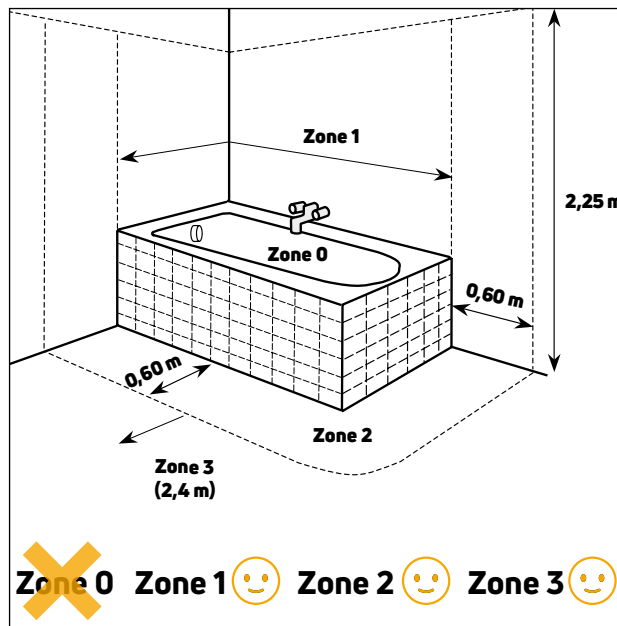
Takk for at du valgte et av våre produkter. Vi er sikre på at du vil være fornøyd med valget ditt, fordi kvaliteten og finishen garanterer komfort dag etter dag. Ved å følge forslagene i denne håndboken vil produktet du har kjøpt fungere uten problemer og gi deg optimal komfort.

## 1. SIKKERHETSINSTRUKSER

- ⚠ Dette produktet er utformet for å fungere ved 230 V.
- ⚠ Sørg for at all strømtilførsel er slått helt av når det utføres elektrisk arbeid på håndkletørkeren.
- ⚠ Den elektriske installasjonen må samsvare med lokale eller nasjonale forskrifter for elektrisk sikkerhet, og må utføres av en autorisert elektriker.
- ⚠ Pass på at håndkletørkeren bæres i metallrammen og ikke i strømledningen når produktet flyttes.
- ⚠ Dette apparatet kan brukes av barn fra 8 år og oppover og av personer med reduserte fysiske, sensoriske eller mentale evner eller uten erfaring og kunnskap hvis de er under tilsyn eller har fått opplæring i bruk av apparatet på en sikker måte og de forstår farene som følger med. Barn må ikke leke med apparatet. Rengjøring og vedlikehold skal ikke utføres av barn uten at de er under tilsyn.
- ⚠ Barn må ikke leke med apparatet.
- ⚠ Ikke klatre på eller bruk elementene som sportsutstyr.
- ⚠ For at produktet skal kunne installeres på riktig måte, er det viktig at det festes på en slik måte at det er egnet for tiltenkt bruk og forutsigbar feil bruk. Det må tas hensyn til en rekke elementer, inkludert festemetoden som brukes til å feste den til veggen. Type vegg og tilstand, samt eventuelle ekstra krefter eller vekter som kan påføres enheten før installasjonen er fullført.
- ⚠ Dette produktet kan bli svært varmt under bruk, og kan forårsake brannskader hvis det kommer i kontakt med huden over lengre tid. Installatører og brukere må sør-

ge for at de som kan komme i nærheten av produktet er klar over faren for brannskader.

- ⚠ Av sikkerhetsgrunner må den elektriske håndkletørkeren ikke tildekkes helt. 
- ⚠ Bruksanvisningen er en integrert del av apparatet. Installatøren MÅ sørge for at den er hos sluttbrukeren.
- ⚠ Alt reparasjons- og vedlikeholdsarbeid må utføres av kvalifisert personell.



NO

## 2. GENERELL INFORMASJON

Les disse anvisningene nøye før montering, og ta vare på dem for fremtidig bruk.

Før du fortsetter med installasjonen, må du pakke ut produktet og kontrollere at alle komponenter er på plass, og at det ikke er noen skjulte transportskader. Inkludert i pakken:

- Håndkletørkere
- Brukerveiledning
- Tilbehør/monteringssett

Håndkletørkeren er konstruert for å fungere ved en ubelagt temperatur på ca. 45 °C og en tildekket temperatur på 60 °C til 65 °C i en omgivelsestemperatur på 20 °C. Produktet er egnet for bruk i sone 1, 2 og 3 på bad og kjøkken.

## 3. INSTALLASJON – OPPHENG AV HÅNDKLEVARMEREN

Pass på at det ikke er noen strømledninger, telefonkabler, vannrør eller gassrør under overflaten der du skal plassere håndkletørkeren. Sørg også for at veggen er sterk nok til å romme håndkletørkeren, og at ønsket posisjon for håndkletørkeren er nær nok til at strømledningen når strømfor- syningen.

**FORSIKTIGHETSREGLER:** For å unngå fare for svært små barn må dette apparatet installeres slik at den laveste oppvarmede skinnen er minst 600 mm over gulvet i henhold til (IEC 60 335-2-43/A1:2006)

Kontroller at du har alle veggfestene som beskrevet nedenfor og i fig. 1:



Fig. 1

- 6 x plugger
- 6 x M4,5 x 40 skruer
- 1 x M5 unbrakonøkkel

### Trinn 1

Skrut ut skruene til kabeltilkoblingsdekslet, og fjern deksel- platen (Fig. 2).



Fig. 2

Skyv opp dekselet på holderen og skru løs veggplaten skruv (Fig. 3).

På grunn av det lave strømforbruket er den svært økono- misk i bruk.

Produsenten påtar seg intet ansvar for skader som oppstår som følge av feil installasjon, endring, vedlikehold eller feil bruk.

Følg instruksjonene i denne håndboken nøye for å sikre at installasjonen utføres riktig og at enheten fungerer som den skal. Hvis instruksjonene ikke følges, kan det ikke bare føre til funksjonsfeil på apparatet, men fører også til at garantien blir ugyldig, og PG tar ikke ansvar for eventuelle skader på personer, dyr eller eiendom.



Fig. 3

Fjern veggplaten av plast fra skinnen og skyv den over ka- belen som kommer ut av veggen. Når den er i riktig posisjon, markerer du de 3 skruehullene med en blyant (Fig. 4).



Fig. 4

Fjern veggfestet, bor hullene og sett inn pluggene. Skyv veggfestet tilbake over kabelen og skru det fast i veggen. Vi anbefaler at silikon plasseres rundt hullet i pluggen for å sikre at det ikke trenger vann inn i veggen.

### Trinn 2

Fjern beskyttelsen fra den dobbeltsidige tapen på hvert av de resterende 3 veggbrakettene (Fig. 5).



Fig. 5

**Trinn 3**

Før strømkabelen fra veggen inn i kabeltilkoblingsbenet og før kabelenden gjennom hullet i dekselplaten (Fig. 6).



**Fig. 6**

Skjv skinnen over O-ringene på veggfestet, men ikke skjv de andre tre festene helt mot veggen før skinnen er nivellert opp. Det anbefales å bruke et vaterpass for å sikre at skinnen er vannrett. Når du har skinnen i riktig posisjon, trykker du skinnen mot veggen slik at de teipede festene festes skikkelig. Løsne deretter skruestiftene på festene og fjern skinnen slik at veggplatene sitter fast på veggen.

**Trinn 4**

Marker midten av hullet i veggplatene med en blyant (Fig. 7).



**Fig. 7**

Trekk av veggplatene fra veggen, bor hull, sett i veggpluggene og skru fast veggplatene på veggen med de lange M4,5 x 40-skruene. Vi anbefaler at silikon plasseres rundt hullet i pluggen for å sikre at det ikke trenger vann inn i veggen.

**Trinn 5**

Skjv deretter håndkleskinnens konsollbein over veggplatene som i trinn 3, og bruk M5-unbrakonøkkelen til å feste skinnen på plass med justeringskruene på alle beina. (Fig. 8).



**Fig. 8**

**4. ELEKTRISK TILKOBLING**

Håndkletørkerens elektriske tilkoblinger til strømforsyningen skal utføres av en autorisert elektriker i samsvar med gjeldende lokale og nasjonale forskrifter for elektriske installasjoner.

Ved montering i toalett eller badrom skal den elektriske tilkoblingen beskyttes av en jordfeilbryter på 30 mA. Se tabellen nedenfor for mer informasjon:

SKALA	
Modellbetegnelse	Skjult kabeltilkobling
Effekt	70 W
Strøm	220 - 240 V 50 - 60 Hz
IP	IP 45
Størrelser	754x500x100 mm

**Trinn 1**

Når skinnen er godt festet til veggen, kan du nå koble strømkablene til strømtilkoblingsblokken på håndkleskinnen (Fig. 9).



**Fig. 9**

Pass på at kablene er satt helt inn, og at ingen løse tråder stikker ut. Når du har strammet kabeltilkoblingsblokken godt inne i håndkleskinnens bein (Fig. 10).



**Fig. 10**

**Trinn 2**

Sett på plass kabeltilkoblingsdekslet igjen, og stram skruene (Fig. 11).



**Fig. 11**

Skinnen er nå klar til bruk.

## 5. BRUKSVEILEDNING

Strømbryteren for strømtilførsel til håndkleskinnen slås på og av ved å trykke på knappen nederst til høyre i oppreist stilling (Fig. 12).



o = OFF  
I = ON

Fig. 12 ON/OFF Bryter

For å bruke håndklestangen dreier du den røde strømknappen til „I“. Håndklestangen kan nå slås på ved å trykke på strømbryteren på timerens betjeningspanel på forsiden av håndklestangen. Håndklestangen forblir påslått til strømbryteren slås av.

For å bruke 2-4-timers tidsuret trykker du PÅ ON/OFF-knappen **1** for å slå den „PÅ“, og trykker deretter 2-4 timer-knappen **2**. Trykk én gang i 2 timer eller to ganger

## 6. RENGJØR

Hard skrubbing eller riper på produktets overflate fører til skader på håndklettørkerens overflate. Bruk av rengjøringsprodukter som inneholder sure eller korroderende stoffer skader også produktet. Bruk et kremet rengjøringsmiddel for best resultat.

Rengjør med en fuktig, myk klut.

## 7. KASSERING AV UTSLITTE PRODUKTER

Produkter med overkrysset søppelspann skal ikke kastes sammen med vanlig husholdningsavfall. Gammelt elektrisk og elektronisk utstyr må resirkuleres på et anlegg som kan håndtere disse produktene og restavfall. Hvis du kjøper erstatningsutstyr, kan forhandleren tilby et retursystem eller gi informasjon om nærmeste godkjente behandlingssted. Riktig gjenvinning og avhending bidrar til å bevare ressursene, samtidig som vi unngår skadelige effekter på helse og miljø.

i 4 timer. Lite blått lys **3** under indikatorlyset for 2 eller 4 timer tennes for å bekrefte det valgte tidsrommet. Håndklestangen forblir på til den valgte tiden er utløpt, og slås deretter av automatisk. Skinnen kan når som helst slås av ved å trykke på strømbryteren.



- 1** ON/OFF knapp
- 2** Knapp for 2-4 h timer
- 3** Lysindikator for 2-4 timer

Fig. 13 Tidsur-kontrollpanel





## 8. PRODUSENTENS GARANTI

### GARANTIENS OMFANG

- Garantien dekker produksjons-, material- eller produktjonsfeil.
- Dette produktet leveres for installasjon i hjemmet.
- I en periode på 5 år fra kjøpsdato er vår eneste plikt å skifte ut defekte, ikke-elektriske komponenter i produkter etter eget skjønn. Utskiftede produkter blir vår eiendom og kan bare avhendes etter vår godkjenning.
- De elektriske elementene har 24 måneders garanti fra kjøpsdato.
- Kontroller produktet ved mottak. Hvis det mot formodning skulle oppstå et produktproblem før installasjonen, må du kontakte oss innen 30 dager. Ved transportkader må du komme tilbake innen 14 dager. Vi kan ikke akseptere krav utenfor denne tidsrammen.
- Alle krav som gjøres til oss må være skriftlige og ledsages av et betalingsbevis som viser kjøpsdatoen.
- Hvis produktet anses som upassende uten produsentens feil, kan kjøperen returnere produktet for tilbakebetaling innen 28 dager, men kjøperen er ansvarlig for sikker retur av produktet og eventuelle fraktkostnader.
- Vi påtar oss ikke ansvar for skader, tap av inntekt eller følgeskader på andre husholdningsinventar, innredning eller møbler som oppstår på grunn av krav, selv om de er montert på produktet.
- Det tas intet ansvar for arbeid eller tilhørende kostnader som kan oppstå ved demontering eller montering av produktet.
- Eventuelle fraktkostnader, skader som følge av tap eller transportskade.
- Vår forpliktelse i henhold til denne garantien gjelder kun den opprinnelige kjøperen og kan ikke overdras hvis produktet selges til en annen part.
- Ettersom vi kontinuerlig forbedrer og utvikler sortimentet vårt, kan vi kanskje ikke tilby en identisk erstatning for et defekt produkt i garantiperioden. Hvis et identisk produkt ikke er tilgjengelig, vil vi levere et produkt med en verdi og egenskaper som vi anser som passende under disse omstendighetene.
- Erstatningsproduktet dekkes av denne garantien bare i den opprinnelige garantiperioden.
- Denne garantien påvirker ikke dine lovbestemte rettigheter. Hvis noen av bestemmelsene ovenfor er i strid med relevant lovgivning, skal denne bestemmelsen anses som unntatt fra garantien, og resten av bestemmelsene skal gjelde.

### HVA GARANTIEINNEHOLDEN IKKE DEKKER

- Generell slitasje.
- Skader som følge av feil bruk eller installasjon.
- Skader som skyldes at produktet ikke er vedlikeholdt i samsvar med rengjørings- og vedlikeholdsanvisningene som er angitt nedenfor.
- Skader som følge av at produktet er koblet til en strømkilde som ikke er i overensstemmelse med spesifikasjonen på typeskiltet eller med strømstøt.
- Skader som oppstår på grunn av installasjon som ikke er i samsvar med EI- eller VVS-forskrifter eller bruk av tilbehør som ikke er godkjent av produsenten.

Dette produktet må installeres av en kvalifisert fagperson. Ta vare på dette garantiarket sammen med kjøpskvitteringen for fremtidig bruk (godkjent elektronisk salgskvittering). Du må fremlegge betalingsbevis for å påberope deg denne garantien. Hvis du har garantikrav, kontakter du forhandleren du kjøpte produktet av.



# Innehållsförteckning

1.	<b>Säkerhetsinformation</b>	27
2.	<b>Allmän information</b>	28
3.	<b>Installation – upphängning av handdukstorken</b>	28
4.	<b>Elanslutning</b>	29
5.	<b>Användarinstruktioner</b>	30
6.	<b>Rengöring</b>	30
7.	<b>Kassering av uttjänta produkter</b>	30
8.	<b>Tillverkargaranti</b>	31


# Skala Elektrisk Handdukstork (dold anslutning).

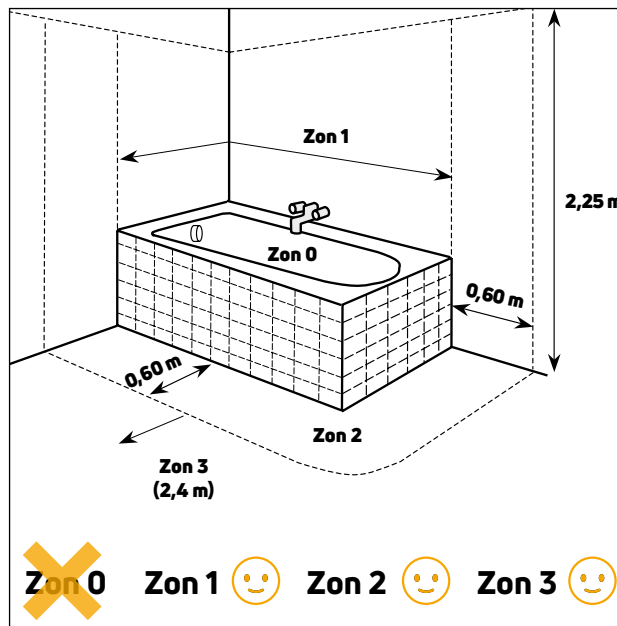
Vi vill tacka dig för att du har valt en av våra produkter. Vi är övertygade om att du kommer att vara nöjd med ditt val eftersom kvaliteten och finishen garanterar komfort dag efter dag. Genom att följa anvisningarna i denna manual kommer produkten du har köpt att fungera utan problem och ge dig optimal komfort.

## 1. SÄKERHETSINFORMATION

- ⚠ Denna produkt är utformad för att fungera vid 230 V.
- ⚠ Se till att all strömförsörjning är helt avstängd när elektriskt arbete utförs på handdukstorken.
- ⚠ Den elektriska installationen måste uppfylla lokala eller nationella elsäkerhetsföreskrifter och måste utföras av en behörig elektriker.
- ⚠ Se till att handdukstorken bärs i metallramen och inte i elkabeln när du flyttar produkten.
- ⚠ Denna apparat kan användas av barn över 8 år och personer med nedsatt fysisk, sensorisk eller mental förmåga eller bristande erfarenhet och kunskap om användningen övervakas eller om de har fått instruktioner om hur apparaten ska användas på ett säkert sätt och förstår riskerna med den. Rengöring och underhåll får inte utföras av barn utan tillsyn.
- ⚠ Barn får inte leka med produkten.
- ⚠ Klättra inte på handdukstorken och använd den inte som sportutrustning.
- ⚠ För att produkten ska kunna installeras på rätt sätt är det viktigt att den fixeras på lämpligt sätt för avsedd användning och hindrar felaktig användning. Ett antal faktorer måste tas i beaktande, såsom fixeringsmetod som används för att fästa den i väggen, typ av vägg och dess skick samt eventuella ytterligare krafter eller vikter som kan tänkas anbringas på enheten innan installationen slutförs.
- ⚠ Denna produkt kan vara het vid användning och utgör därför en risk för brännskador vid långvarig kontakt.

Installatörer och användare ska se till att de som kan komma i närheten av produkten är medvetna om risken för brännskador.

- ⚠ Den eldrivna handdukstorken får av säkerhetsskäl inte täckas över helt. 
- ⚠ Bruksanvisningen är en del av apparaten. Installatören MÅSTE se till att den lämnas hos slutanvändaren.
- ⚠ Alla reparations- och underhållsarbeten måste utföras av kvalificerad personal.



## 2. ALLMÄN INFORMATION

Läs dessa anvisningar noggrant före montering och spara dem för framtida bruk. Innan du fortsätter med installationen ska du packa upp produkten och se till att alla komponenter finns på plats och att det inte finns några dolda transportskador.

Ingår i förpackningen:

- Handdukstork
- Användarmanual
- Tillbehör/Monteringsatts

Handdukstorken är utformad för att fungera vid en icke täckt temperatur på cirka 45 °C och en täckt temperatur på 60 °C till 65 °C i en omgivningstemperatur på 20 °C. Produkten är lämplig för användning i zon 1, 2 och 3 i badrum och kök, och

## 3. INSTALLATION – UPPHÄNGNING AV HANDDUKSTORKEN

Se till att det inte finns några elkablar, telefonkablar, vattenrör eller gasrör under ytan där du tänker placera handdukstorken. Se också till att väggen är tillräckligt stark för att bära handdukstorken och att den önskade positionen för handdukstorken är tillräckligt nära så att strömkabeln når strömförsörjningen.

**⚠ VARNING:** För att undvika risk för mycket små barn måste denna apparat installeras så att den lägsta uppvärmda skenan är minst 600 mm över golvet i enlighet med (IEC 60 335-2-43/A1:2006)

Kontrollera att du har alla detaljer enligt beskrivningen nedan och i fig. 1:



Fig. 1

- 6 x pluggar
- 6 x 4,5 x 40mm skruvar
- 1 x M5 insexnyckel

### Steg 1

Skruva loss skruvarna till kabelanslutningens täckplåt och ta bort täckplåten (Fig. 2).



Fig. 2

Skjut upp installationsfästets täckbricka och skruva loss väggfästet med låsskruven (Fig. 3).

på grund av den låga strömförbrukningen är den mycket ekonomisk att använda.

Tillverkaren åtar sig inget ansvar, varken direkt eller indirekt, för skador som orsakas på personer, djur eller egendom till följd av felaktig installation, modifiering, underhåll eller felaktig användning.

För att säkerställa att installationen utförs korrekt och att enheten fungerar som avsett, följ noga instruktionerna i denna manual. Underlåtenhet att följa instruktionerna kan inte bara orsaka funktionsfel på apparaten utan gör också garantin ogiltig och PG ansvarar inte för eventuella skador på personer, djur eller egendom som följd därav.



Fig. 3

Ta bort väggfästet av plast från torken och skjut den sedan över kabeln som kommer ut ur väggen. När den är i rätt läge markerar du de 3 skruvhålen med en blyertspenna (Fig. 4).



Fig. 4

Ta bort väggfästet, borra hålen och sätt i pluggarna. Skjut tillbaka väggfästet över kabeln och skruva fast det i väggen. Vi rekommenderar att silikon placeras runt plugghållet för att säkerställa att inte vatten tränger in i väggen.

### Steg 2

Ta bort skydspappret från den dubbelhäftande tejen på återstående 3 väggfästena (Fig. 5).



Fig. 5

### Steg 3

För in strömkabeln från väggen i kabelanslutningsfästet och dra kabelns ände genom hålet för täckplåten (Fig. 6).



Fig. 6

Skjut torken över O-ringen på väggfästet, men tryck inte de övriga tre fästena helt mot väggen förrän torken har justerats lodrätt. Vi rekommenderar att du använder ett vattenpass. När du har handdukstorken i rätt läge trycker du den mot väggen så att de tejpade fästena fixeras ordentligt. Lossa nu låsskruvarna på fästena och ta bort torken så att väggfästena sitter fast på väggen.

**Steg 4**

Markera mitten av hålen i väggfästena med en blyertspenna (Fig. 7).



Fig. 7

Ta bort väggfästena från väggen, borra hål, sätt i pluggarna och skruva fast väggfästena med 4,5 x 40-skruvarna. Vi rekommenderar att silikon placeras runt plugghållet för att säkerställa att vatten inte tränger in i väggen.

**Steg 5**

**4. ELANSLUTNING**

Handdukstorkens elektriska anslutning till strömförsörjningen ska utföras av en behörig elektriker i enlighet med gällande lokala och nationella elinstallationsföreskrifter.

Vid montering i toalett eller badrum ska elanslutningen skyddas av en jordfelsbrytare på 30 mA. För mer information, se tabellen nedan:

SKALA	
Modellbeteckning	Dold kabelanslutning
Effekt	70 W
Strömförsörjning	220 - 240 V 50 - 60 Hz
IP	IP 45
Mått	754x500x100 mm

**Steg 1**

När handdukstorken är ordentligt fäst i väggen kan du nu ansluta strömkablarna till kopplingsplinten (Fig. 9).



Fig. 9

Se till att kablarna är helt införda och att inga lösa trådar

Skjut nu handdukstorkens ben över väggfästena som i steg 3 och använd insexnyckeln för att fästa torken på plats med låsskruvarna. (Fig. 8).



Fig. 8

sticker ut och att du dragit åt kopplingsplinten ordentligt inne i handdukstorkens ben (Fig. 10).



Fig. 10

**Steg 2**

Sätt tillbaka kabelanslutningens täckplåt och dra åt skruvarna (Fig. 11).



Fig. 11

Handdukstorken är nu klar att använda.

## 5. ANVÄNDARINSTRUKTIONER

Handdukstorken slås på och av med strömbrytaren längst ned. (Fig. 12).



0 = AV  
I = PÅ

Fig. 12 PÅ/AV strömställare

För att använda handdukstorken ändrar du den röda strömbrytaren till "I". Handdukstorken kan nu sättas på genom att trycka på strömbrytaren på timerns manöverpanel på framsidan av handdukstorken. Handdukstorken förblir påslagen tills strömbrytaren slås av.

För att använda 2-4-timmars-timern trycker du på PÅ/AV knappen **1** för att slå "PÅ" den, tryck sedan på 2-4 timmars-knappen **2**. Tryck en gång för 2 timmar eller två gånger för 4 timmar. En blå ljusmarkering **3** under

indikatorn för 2 eller 4 timmar tänds för att bekräfta den tid du har valt. Handdukstorken kommer nu att vara på tills den valda tiden har gått, därefter stängs den av automatiskt. Torken kan när som helst stängas av genom att trycka på strömbrytaren.



- 1** PÅ/AV knapp
- 2** Knapp för 2-4 timmar
- 3** Ljusindikator för 2-4 timmar

Fig. 13 Timerkontrollpanel

## 6. RENGÖRING

Hård mekanisk rengöring eller repande rengöringsmedel leder till skador på handdukstorkens yta. Användning av rengöringsprodukter som innehåller sura eller korrosiva ämnen skadar också produkten. Använd ett mildt rengöringsmedel för bästa resultat.

Rengör med en fuktig mjuk trasa.

## 7. KASSERING AV UTTJÄNTA PRODUKTER

Produkter med en överkryssad soptunna får inte kastas bland hushållssopor. Den ska när den är uttjänt lämnas in på en mottagningsstation för elektriska och elektroniska produkter. Genom att du lämnar in produkten bidrar du till att förebygga eventuella negativa miljö- och hälsoeffekter som produkten kan bidra till om den kasseras som vanligt hushållsavfall. För upplysningar om återvinning och mottagningsstationer bör du kontakta din lokala myndighet/kommun eller sophämtningstjänst eller affären där du köpte produkten. Gäller länder där detta direktiv har införts.



## 8. TILLVERKARGARANTI

### GARANTINS OMFATTNING

- Garantin täcker material- eller tillverkningsfel.
- Denna produkt levereras för installation i hemmet.
- Under en period på 5 år från inköpsdatum är vår enda skyldighet att efter eget gottfinnande byta ut defekta icke-elektriska komponenter i produkten. Utbytta produkter blir vår egendom och kan endast avyttras efter vårt godkännande.
- Elektriska komponenter har 24 månaders garanti från inköpsdatum.
- Kontrollera din produkt vid mottagandet. Om ett produktproblem mot förmodan skulle upptäckas före installationen måste du kontakta oss inom 30 dagar. Vid transportskadorna måste du återkomma inom 14 dagar. Vi kan inte acceptera några anspråk utanför denna tidsram.
- Alla anspråk som görs till oss måste vara skriftliga och åtföljas av ett betalningsbevis som visar inköpsdatumet.
- Om produkten anses vara olämplig utan tillverkarens fel kan köparen returnera produkten för återbetalning inom 28 dagar, men köparen är ansvarig för säker retur av produkten och eventuella fraktkostnader.
- Vi ansvarar inte för skador, inkomstförluster eller följskador på andra hushållsinventarier, inredning eller möbler som uppstår, även om de är monterade på produkten.
- Inget ansvar tas för arbete eller tillhörande kostnader som kan uppstå vid demontering eller montering av produkten.
- Eventuella fraktkostnader, skador på grund av förlust eller transportskada.
- Vårt åtagande enligt denna garanti gäller endast den ursprungliga köparen och får inte överlåtas om produkten säljs till en annan part.
- Eftersom vi kontinuerligt förbättrar och utvecklar vårt sortiment kanske vi inte kan erbjuda en identisk ersättning för en defekt produkt under garantiperioden. Om en identisk produkt inte finns tillgänglig kommer vi att tillhandahålla en produkt med ett värde och sådana egenskaper som vi anser lämpliga under omständigheterna.
- Ersättningsprodukten täcks av denna garanti endast under den ursprungliga garantiperioden.
- Denna garanti påverkar inte dina lagstadgade rättigheter. Om någon av bestämmelserna ovan strider mot någon relevant lagstiftning ska den bestämmelsen anses vara undantagen från garantin och resten av bestämmelserna ska gälla.

### GARANTIN TÄCKER INTE

- Allmänt slitage.
- Skador som uppstår på grund av felaktig användning eller installation.
- Skador som beror på att produkten inte har underhållits i enlighet med de rengörings- och skötselansvisningar som anges i denna instruktion.
- Skador som uppstår på grund av att produkten ansluts till en strömkälla som inte överensstämmer med märkskyltens specifikationer eller på grund av strömstötter.
- Skador som uppstår på grund av installation som inte överensstämmer med EL- eller VVS-föreskrifter eller användning av tillbehör som inte godkänts av tillverkaren.

Denna produkt får endast installeras av en behörig fackman. Spara detta garantibladd tillsammans med inköpskvittot för framtida referens (elektroniskt försäljningskvitto är godkänt). Du måste tillhandahålla bevis på betalning för att åberopa denna garanti. Om du har några garantianspråk kontaktar du återförsäljaren där du köpte produkten.



**A PURMO GROUP BRAND** 

Bulevardi 46  
P.O. Box 115  
FI-00121 Helsinki  
Finland  
[www.purmogroup.com](http://www.purmogroup.com)

Every care has been taken in the creation of this document. No part of this document may be reproduced without the express written consent of Purmo Group. Purmo Group accepts no responsibility for any inaccuracies or consequences arising from the use or misuse of the information contained herein.

