

Refurbishment valve Fellingsbro M68 - standard



- Adjustable from 1-2 pipe
- Bottom-coupled
- c/c 35
- Temperature: 5°C till +100°C
- Pressure class: PN 10

Description *Fellingsbro standard*

Area of use

RFA 470, 490, 530, 550 replaces Fellingsbro TKM and M68 c/c35 1- or 2-pipe valves bottom-coupled. .

The valves can be regulated with a thermostat or handwheel M28x1.5.

Description

The RFA valve has a hidden pre-setting under the stuffing box.

Pre-setting of the flow on 2-pipe systems is done with the FN2 key.

Distribution of the flow (1-pipe) between radiator and by-pass is done with FN2.

Unscrew the number of turns specified in the radiator flow table 1-pipe.

The valve is delivered with 1/3 flow to the radiator and 2/3 in the loop.

The valve is adjustable from 1- to 2-pipe.

The valve has connection M22x1.5, M18x1.5, M21x1.5 or M24x1.5 to the pipe system.

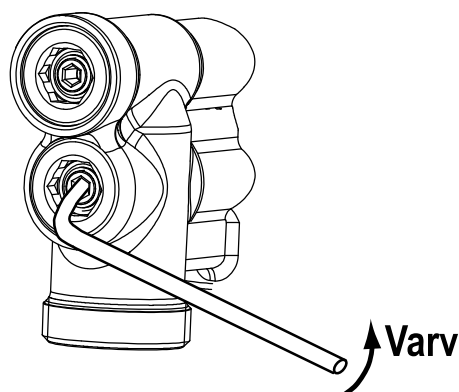
The connection to the radiator is G3/4". The return of the valve is closed with a spindle under the lid and the inlet is closed with a thermostat or handwheel.

When switching off the radiator return, the bypass is not closed.

Setting bypass

Bypass adjustment is made on the lower spindle with 2.5 mm insex.

Laps are counted from closed bypass. The valve is set from the factory to 4 turns .



Product information *Fellingsbro standard*

Mounting

When mounting on an existing radiator connection, the surface must be cleaned and be flat and even. To get a good seal, the following must be done:

1. Scrape clean.
2. Brush carefully with a wire brush, can be done with a rotating wire brush.
3. Trim with 3M Scotch Brite red cloth, can be done with rotating 3M Scotch Brite red rotating pulley

Reusable nuts must also be checked so that the threads meet the correct ISO standard.

Split fiber gasket 480 63 56 item no. Included on delivery, for connections that are flat, clean and smooth.

Rubber gasket 481 20 80, for radiator connections with inferior surface, can be purchased separately. Rubber gasket is lubricated on both sides with sealing paste ex. Glidex
For very uneven surfaces, liquid packing is recommended.

Technical data

Pressure class

PN 10

Maximum differential pressure (closing pressure)

150 kPa

Recommended differential pressure

3-10 kPa

Max temperature

100° C

Min temperature

5° C

Material

Brass

EPDM

Stainless steel





Product information *Fellingsbro standard*

MMA

BY PURMO

Pre-setting FN2 key

The valve is equipped with an insert that has a hidden preset.

Unscrew the protective knob.

Remove the stuffing box with pins (use the top of the FN2 preset key).

Insert the preset key with the knurled end into the throttle sleeve and carefully screw

this (clockwise) at the bottom. Unscrew the number of turns indicated according to the diagram.

Refit the stuffing box with pins.



RFA 470-550

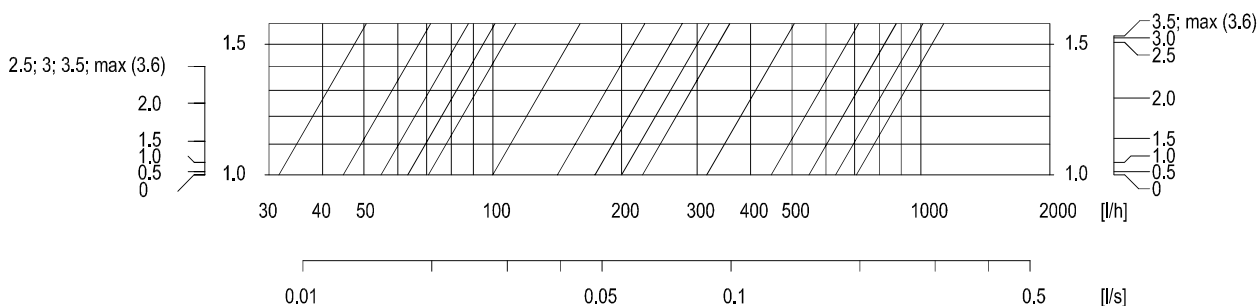
Stryphylsa öppen (varv)

Kägla inställd på 2K (0,45 mm öppen)

[KPa]

Stryphylsa öppen (varv)

Kägla fullt öppen



Radiator flow 1-pipe

Kv2K

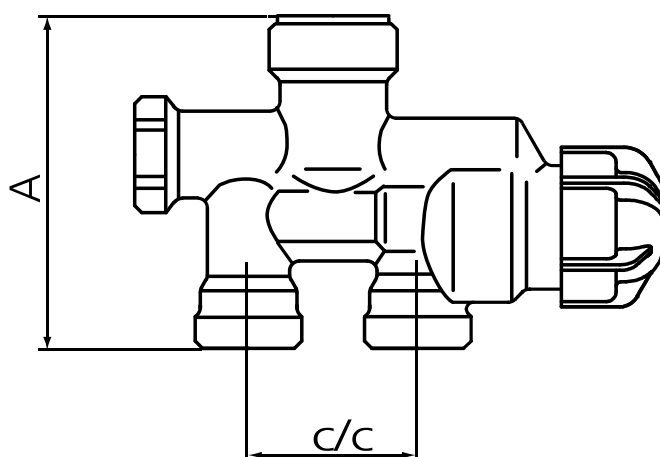
Bypass opening lap	total	rad.	Dis. rad %
0	0,59	0,59	100%
1	0,65	0,54	83%
2	0,82	0,52	63%
3	1,07	0,50	47%
4	1,41	0,47	33%
5	1,82	0,43	24%
6	2,02	0,37	18%
Max	2,12	0,36	17%



Product information *Fellingsbro standard*

Measurement data

	A	c/c	Weight/g
RFA 470, 490, 530, 550	68	35	334



Ordering codes

RSK-number	Article-number	Designation	Description
480 65 77	FD4R1000100X00SE0	RFA 470	Refurbishment valve ext. M22x1,5
480 65 80	FD4R1000200X00SE0	RFA 490	Refurbishment valve ext. M18x1,5
480 65 83	FD4R1000300X00SE0	RFA 530	Refurbishment valve ext. M24x1,5
480 65 87	FD4R1000400X00SE0	RFA 550	Refurbishment valve ext. M21x1,5
480 65 93	FD4R1000500X00SE0	RFA 4700	Refurbishment valve excl. adapter
480 65 96	FD4R1004500X00SE0	RFA 4755	Valve incl, connection M22x1,5,M21x1,5, M18x1,5
184 00 89	FD4R5002000X00SE0	M22x1,5	Adapter M22x1,5 2-pack
184 00 90	FD4R5002100X00SE0	M21x1,5	Adapter M21x1,5 2-pack
184 00 91	FD4R5002200X00SE0	M18x1,5	Adapter M18x1,5 2-pack
184 00 92	FD4R5002300X00SE0	M24x1,5	Adapter M24x1,5
480 63 56	FDCL9002000X00SE0		Split gasket
481 20 80			Rubber gasket