

Gate E | Technical Data Sheet

Tubes

Round tube design radiator with 30 mm tubes as collecting pipes and 22 mm heating pipes. Welded tube on tube.

Electrical connection

Schuko plug CEE 7/7, 90° – 1,5 m cable – FCIR Heating element & FCIR Remote (room thermostat). The power of the heating element is chosen to reach a max. surface temperature of 65 °C (set at 100 % at 230 V, 20 °C room temperature).

Mounting

The radiators are attached to the wall by means of 4 wall brackets matching the colour of the radiator.

Mounting set

4 steel wall brackets. Mounting on the wall is possible with brackets especially designed for this kind of pipe. Brackets are according VDI 6036 class III.

Colours

White RAL 9016 as standard. Other available stock colours: Anthracite grey RAL 7016 matt & Jet black RAL 9005 matt + other available colours on request.



Brand

Radson / Purmo

Product

Gate E

Material

Steel bathroom radiator according EN442-1&2

Conformity

CE certificate – Low Voltage Directive – EMC Directive



Gate E | Tender Specifications



Technical text & design

Round heating elements, organized in separate sections and mounted on double collecting pipes, gives the impression of a gate.

Treatment and finish

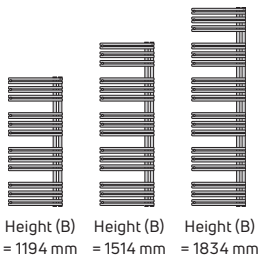
Treatment procedure according to the standard DIN 55900 and EN 442 (emission-free):

- Preparatory phase: degreasing, phosphatising and rinsing with Demin water
- First varnishing phase: application of the primer by cataphoresis
- Final coating: according to the epoxy-polyester powder principle

Range

4 models:

- 3 heights: 1194, 1514, 1834 mm
- 2 widths: 500, 600 mm



Height (B) = 1194 mm Height (B) = 1514 mm Height (B) = 1834 mm

Colours

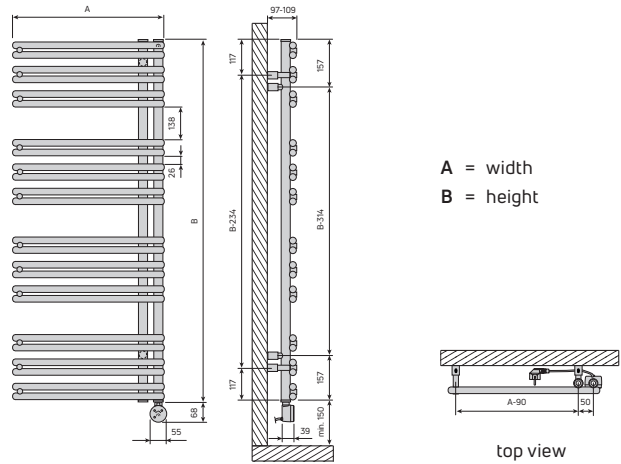
White RAL 9016 as standard. Other available stock colours: Anthracite grey RAL 7016 matt & Jet black RAL 9005 matt + other available colours on request

GATE E					
Type	Dimensions (mm)			Weight (kg)	Electric output (watt)
	Height (B)	Height including controller	Width (A)		
Gate E 1194x500	1194	1262	500	14,20	400
Gate E 1514x500	1514	1582	500	18,10	400
Gate E 1514x600	1514	1582	600	20,40	600
Gate E 1834x600	1834	1902	600	24,40	800

stock

Mounting

The radiators are attached to the wall by means of 4 wall brackets matching the colour of the radiator



A = width
B = height

Connection & command

Electrical heating element including FCIR with Schuko plug and FCIR Remote (room thermostat)

Packaging & protection

The radiators are packed individually in a plastic foil and a cardboard box, reinforced with corner segments. The plastic foil packaging remains around the radiator until it is mounted, in order to prevent damage.

Norms

- Protection Class I – 230 V / 50 Hz / IP X5
- CE certificate – Low Voltage Directive – EMC Directive
- Directive 2011/65/EC (2002/95/EC), RoHS Directive
- Regulation 1907/2006/EC, REACH Regulation
- Directive 2012/19/EU (2002/96/EC), WEEE Directive
- Eco Design Directive 2015/1188 (EU)

Warranty

2 years

