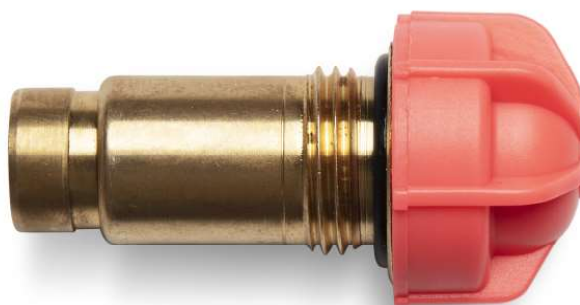


# FLA

## Insert for integrated radiators



- High precision presetting
- Kv from 0.02
- Evosense compatible
- Temperature: 5°C to +90°C
- Pressure class: PN 10

# Description *FLA*

## Applications

The FLA insert is used for presetting and regulating radiators with integrated manifold.

## Description

The FLA insert provides the option to set the Kv value with high precision.

The preset scale can be found on the tool.

The FLA insert has protected setting, and should be preset using the associated tool.

The insert can be used in both 1 and 2 pipe systems.

## Flamingo with internal O-ring

- Purmo Plint
- Purmo Plint P
- Purmo Plint PD
- Purmo Plint R
- Purmo Plint RD
- Purmo CV
- Purmo CVM
- Purmo FCVM



# Description *FLA*



## Technical data

### Pressure class

PN 10

### Max temperature

90°C

### Min temperature

5°C

### Kv value (preset value) with thermostat/without thermostat

0.016-0.52/0.016-0.81

### Accuracy

According to EN215:  $\pm 10\%$  (Position N open 10 kPa)

Position	1	2	3	4	5	6	7	8	9	10	N
kv at 2K	0,016	0,022	0,047	0,09	0,11	0,17	0,22	0,28	0,29	0,36	0,52
kvs	0,016	0,022	0,047	0,09	0,11	0,17	0,22	0,28	0,34	0,49	0,81
Flow l/h at 2K, 10 kPa*	5	7	15	27	35	55	70	88	93	113	165
Flow l/h at 2K, 5 kPa*	4	5	11	19	25	39	49	62	66	80	117
Tolerance l/h, at 2K, 10 kPa	$\pm 2$	$\pm 2$	$\pm 3$	$\pm 3$	$\pm 3$	$\pm 3$	$\pm 3$	$\pm 4$	$\pm 5$	$\pm 5$	$\pm 16$

\*Static pressure 0.1 MPa (1 bar), water 50°C, the insert must be in contact with water for at least 24h before measurement.

### Materials

Brass

EPDM

Noryl

POM

### Connection

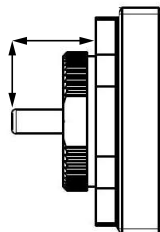
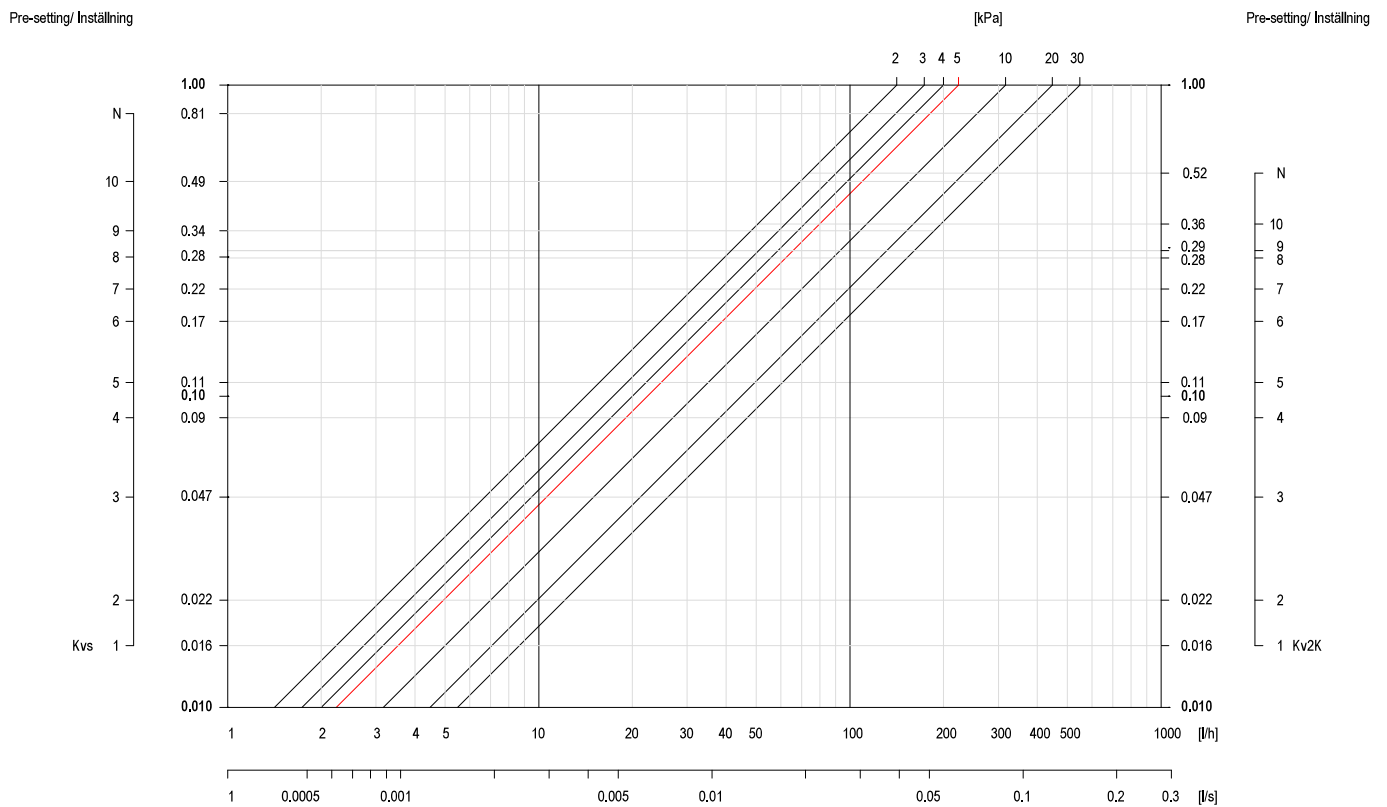
M28x1.5

M30x1,5

# Description *FLA*

## Pressure drop diagram

Diagram för FLA



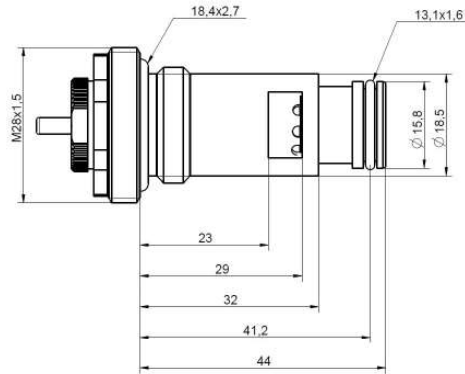
For M28x1.5: Closing position 10.0 and stroke approx. 2mm.

For M30x1.5: Closing position 11.8 and stroke approx. 2mm, of which full capacity already at 0.5mm stroke.

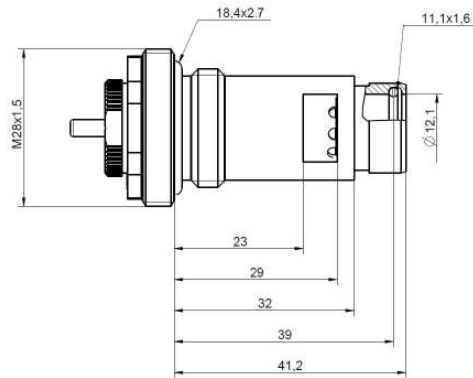
# Product information *FLA*

## Measurement details

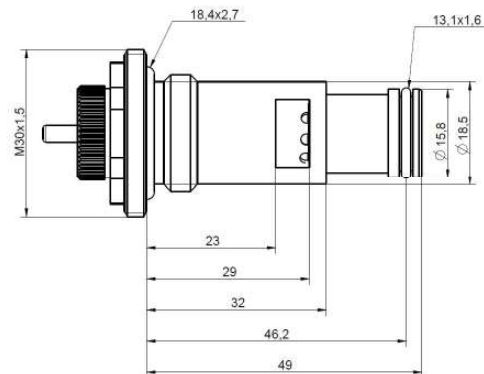
3112801  
FLA-HLE-M28



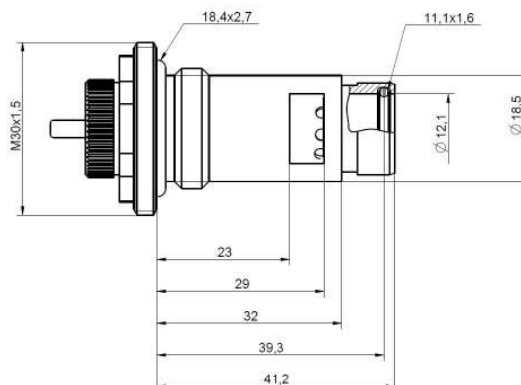
3112802  
FLA-HLI-M28



3112901  
FLA-HLE-M30



3112902  
FLA-HLI-M30



# Product information *FLA*



## AMA texts

### Descriptive texts drawn up in accordance with AMA 2012

FLA            PSE.111    **Temperature controlled valve inserts**    Valve insert with presettable pin by pack box.  
Make: AB Markaryd Metallarmatur  
Type: FLA

## Ordering designations

Article number	Name	Description
FDJU10M2800HLESE0	FLA	M28x1.5
FDJU10M2800HLISE0	FLA	M28x1.5
FDJU10M3000HLESE0	FLA	M30x1.5
FDJU10M3000HLISE0	FLA	M30x1.5
FDJU10000TOX00SE0	FLA	Presetting tool