

evo temp



- Effective
- Environmentally friendly, low led
- Tapwater approved
- Temperature range: 40-60°C
- Pressure class: PN16
- Max temperature: Max 90°C

Description **evo**temp

Area of usage

EvoTemp can be used in tapwater installations.

It is used to recirculate the hotwater to the heat source.

EvoTemp is used to balance tapwater installations. It is mounted at the far end of the tapwater circuits. The valve regulates so that the return temperature is always according to the setting on the EvoTemp.

Description

EvoTemp is a presettable temperature controlled valve..

It is intended for tapwater installations and controls that the correct temperature is always in the system. A valve must be mounted at the end of each circuit, with the setting for how hot the water should be at that point.

NOTE! The pump must withstand that the hot water circulation valve EvoTemp closes completely for periods.



Description **evo**temp

Dimensioning

The valve is placed at the end of each tapwater circuit and regulates the hotwater back to the subcentral.

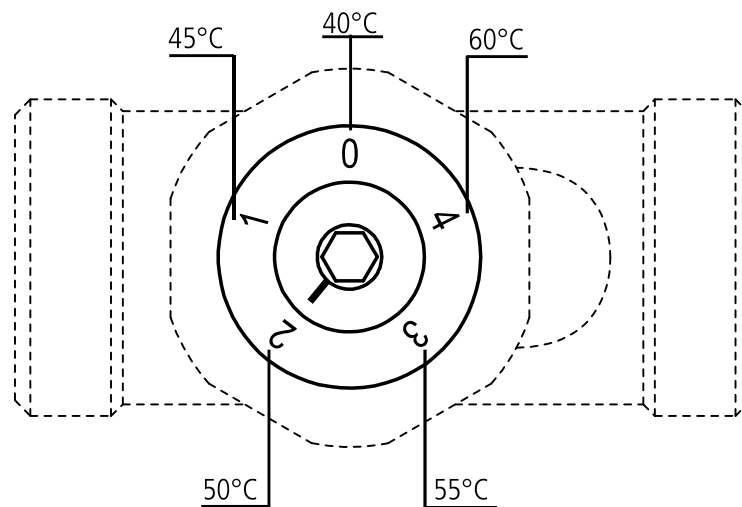
Calculate how much the water will cool down from the vales position to the subcentral, then set the valve on the corresponding value.

The valve can be placed so far away from the drain point that the time it takes for the hotwater to reach the users tap is within BBR's requirements and that, if necessary, guidelines are met.

Pre-setting

Adjust the temperature setting with an 4 mm allen key.

Turn the bar to the desired value as shown below.



Flowtable

Kv	0K	2K	5K	8K	10K	Max
Pos 0	0,03	0,06	0,32	0,57	0,65	0,79
Pos 1	0,03	0,06	0,38	0,63	0,70	0,79
Pos 2	0,03	0,06	0,47	0,70	0,74	0,79
Pos 3	0,03	0,06	0,47	0,70	0,74	0,79
Pos 4	0,03	0,06	0,47	0,70	0,74	0,79

Technical data **evo**temp

Material

Low lead brass, EPDM

Stainless steel

Max Temperature

90°C

Temperature range

40°-60°C

Pressure class

PN 16

Max differential pressure

0,2 MPa

Connections

ISO-G 3/4" fits with flat sealing coupling/half-coupling



Ordering codes

Articel number	Designation	Description
FIEH3002000X00SE0	Evotemp 3/4"	ISO-G 3/4"

We reserve the right to change the products without prior notice